

Weatherproof Electrical Products



TEDDICO **BWF**
ELECTRICAL PRODUCTS

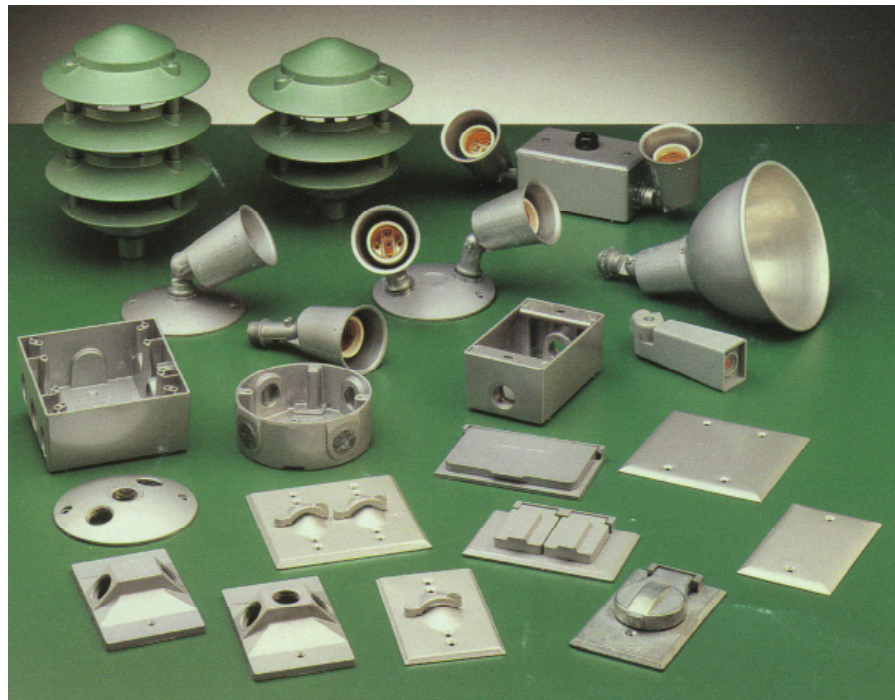


Corporate Statement

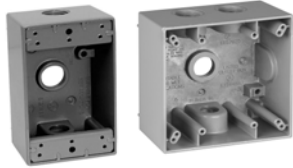
As Manufacturers of Outdoor Weatherproof Electrical Products, it is BWF/M. Stephens' goal to provide our Customers with quality products at competitive prices - backed by the highest level of commitment and service available in this industry.

We provide a broad range of electrical fittings and weatherproof products to the market, and are committed to total Customer satisfaction by meeting or exceeding expectations for quality, on-time delivery, and friendly, knowledgeable Customer service.

The vision of M. Stephens is to achieve this by being more responsive, more flexible, faster, easier and more profitable to do business with than our competitors. Every element of our on-going business strategies will be aimed at accomplishing this vision.



Weatherproof Electrical Products



Outlet Boxes

Pages 2-7



Covers

Pages 8-21



Lampholders and Accessories

Pages 22-24



Garden Lighting

Pages 25-26



Vaportight

Pages 27-31



Conduit Bodies

Pages 32-41



Service Entrance Heads,
Replacement Parts & Accessories

Pages 42-44

For over 50 years, BWF/M. Stephens has been a leader in the die casting industry. With the full line of outdoor weatherproof products, BWF/M. Stephens is committed to offering the high quality and customer service expected from the BWF/M. Stephens name.

One Gang Weatherproof Outlet Boxes - Die Cast Metal

BWF Product Benefits & Features

- Rugged, seamless, die-cast construction that prevents moisture entry
- Reinforced connector outlets provide a secure mechanical installation
- State of the art powder coat finish for maximum durability
- Closure plugs, ground screw and mounting lugs included
- Complete installation instructions included with each product

Applications

- For use in branch circuit wiring in wet, damp or dry locations
- May be used as a weatherproof junction box, or as a housing for receptacles, switches and GFCI's



B-5V



DB-5V



B5-2V



One Gang Outlet Box with 3 Threaded Outlets

4 9/16" x 2 13/16" x 2", closure plugs, ground screw and mounting lugs included

BWF#	Unit UPC 0-87115	Unit Cubic	Description Outlets	Color	Case Qty.	Case Weight
Show Pak						
B-5V	18021-6	18.3"	3-1/2"	Grey	20	11.6
B-5AV	18520-4	18.3"	3-1/2"	Bronze	20	11.6
B-5WV	18720-8	18.3"	3-1/2"	White	20	11.6
B-75V	18031-5	18.3"	3-3/4"	Grey	20	11.4
B-75AV	52886-5	18.3"	3-3/4"	Bronze	20	11.4
B-75WV	52885-8	18.3"	3-3/4"	White	20	11.4
B-100V	27100-6	18.3"	3-1"	Grey	20	11.2
Blister Carded						
1503-1	01503-7	18.3"	3-1/2"	Grey	6	3.9
1503AB-1	18523-5	18.3"	3-1/2"	Bronze	6	3.9
1503W-1	50000-7	18.3"	3-1/2"	White	6	3.9
1753-1	01753-6	18.3"	3-3/4"	Grey	6	3.9
1753AB-1	18533-4	18.3"	3-3/4"	Bronze	6	3.9
1753W-1	50005-2	18.3"	3-3/4"	White	6	3.9

Deep, One Gang Outlet Box with 3 Threaded Outlets

4 9/16" x 2 13/16" x 2 5/8", closure plugs, ground screw and mounting lugs included

BWF#	Unit UPC 0-87115	Unit Cubic	Description Outlets	Color	Case Qty.	Case Weight
Show Pak						
DB-5V	38006-7	25.5	3-1/2"	Grey	12	10
DB-75V	27105-1	25.5	3-3/4"	Grey	12	10
DB-100V	27108-2	25.5	3-1"	Grey	12	10

One Gang Outlet Box with 4 Threaded Outlets

4 9/16" x 2 13/16" x 2", closure plugs, ground screw and mounting lugs included

BWF#	Unit UPC 0-87115	Unit Cubic	Description Outlets	Color	Case Qty.	Case Weight
Show Pak						
B5-2V	18041-4	18.3"	4-1/2"	Grey	20	12.1
B5-2AV	27111-2	18.3"	4-1/2"	Bronze	20	12.1
B5-2WV	18044-5	18.3"	4-1/2"	White	20	12.1
B75-2V	18051-3	18.3"	4-3/4"	Grey	20	12.1
B75-2AV	27113-6	18.3"	4-3/4"	Bronze	20	12.1
B75-2WV	27114-3	18.3"	4-3/4"	White	20	12.1
Blister Carded						
1504-1	01504-4	18.3"	4-1/2"	Grey	6	4.0
1504AB-1	18543-3	18.3"	4-1/2"	Bronze	6	4.0
1504W-1	50010-6	18.3"	4-1/2"	White	6	4.0
1754-1	01754-3	18.3"	4-3/4"	Grey	6	4.0
1754AB-1	18553-2	18.3"	4-3/4"	Bronze	6	4.0
1754W-1	50015-1	18.3"	4-3/4"	Bronze	6	4.0

One Gang Outlet Box with 5 Threaded Outlets

4 9/16" x 2 13/16" x 2", closure plugs, ground screw and mounting lugs included

BWF#	Unit UPC 0-87115	Unit Cubic	Description Outlets	Color	Case Qty.	Case Weight
Show Pak						
B5-22V	18061-2	18.3"	5-1/2"	Grey	20	12
B5-22AV	27115-0	18.3"	5-1/2"	Bronze	20	12
B5-22WV	27116-7	18.3"	5-1/2"	White	20	12
B75-22V	18071-1	18.3"	5-3/4"	Grey	20	11.4
B75-22AV	27117-4	18.3"	5-3/4"	Bronze	20	11.4
B75-22WV	27118-1	18.3"	5-3/4"	White	20	11.4
B5-22XV	18081-0	18.3"	5-1/2" X	Grey	20	12
B75-22XV	27121-1	18.3"	5-3/4" X	Grey	20	12
B100-22XV	27124-2	18.3"	5-1" X	Grey	20	12



B5-22V

Deep, One Gang Outlet Box with 5 Threaded Outlets

4 9/16" x 2 13/16" x 2 5/8", closure plugs, ground screw and mounting lugs included

BWF#	Unit UPC 0-87115	Unit Cubic	Description Outlets	Color	Case Qty.	Case Weight
Show Pak						
DB5-22XV	27127-3	25.0	5-1/2" X	Grey	12	10
DB75-22XV	27130-3	25.0	5-3/4" X	Grey	12	10
DB-100-22XV	27133-4	25.5	5-1" X	Grey	12	10



DB5-22XV

Two Gang Weatherproof Outlet Boxes – Die Cast Metal

BWF Product Benefits & Features

- Rugged, seamless, die-cast construction that prevents moisture entry
- Reinforced connector outlets provide a secure mechanical installation
- State of the art powder coat finish for maximum durability
- Closure plugs, ground screw and mounting lugs included
- Complete installation instructions included with each product

Applications

- For use in branch circuit wiring in wet, damp or dry locations
- May be used as a weatherproof junction box, or as a housing for receptacles, switches and GFCI's

Two Gang Outlet Box with 3 Threaded Outlets

4 9/16" x 4 5/8" x 2", closure plugs, ground screw and mounting lugs included

BWF#	Unit UPC TYPE0-87115	Unit Cubic	Description Outlets	Color	Case Qty.	Case Weight
Show Pak						
TGB-5V	19000-0	31.0"	3-1/2"	Grey	12	13
TGB-75V	19016-1	31.0"	3-3/4"	Grey	12	13
TGB-100V	27147-1	31.0"	3-1"	Grey	12	13
TGB-100AV	27148-8	31.0"	3-1"	Bronze	12	13
TGB-100WV	27149-5	31.0"	3-1"	White	12	13
Blister Carded						
2503-1	02503-6	31.0"	3-1/2"	Grey	6	8
2503AB-1	19508-1	31.0"	3-1/2"	Bronze	6	8
2503W-1	50020-5	31.0"	3-1/2"	White	6	8



TGB-5V



Two Gang Weatherproof Outlet Boxes – Die Cast Metal

Two Gang Outlet Box with 4 Threaded Outlets

4-9 / 16" x 4-5 / 8" x 2", closure plugs, ground screw and mounting lugs included



TGB-54V

BWF#	Unit UPC 0-87115	Unit Cubic	Outlets	Description	Color	Case Qty.	Case Weight
Show Pak							
TGB-54V	19026-0	31.0"	4-1/2"		Grey	12	13
TGB75-4V	27152-5	31.0"	4-3/4"		Grey	12	13
Blister Carded							
2504-1	02504-3	31.0"	4-1/2"		Grey	6	7
2504AB-1	19527-2	31.0"	4-1/2"		Bronze	6	7
2504W-1	50025-0	31.0"	4-1/2"		White	6	7



TGB-55V

Two Gang Outlet Box with 5 Threaded Outlets

4-9 / 16" x 4-5 / 8" x 2", closure plugs, ground screw and mounting lugs included

BWF#	Unit UPC 0-87115	Unit Cubic	Outlets	Description	Color	Case Qty.	Case Weight
Show Pak							
TGB-55V	19047-5	31.0"	5-1/2"		Grey	12	13
TGB75-5V	19056-7	31.0"	5-3/4"		Grey	12	13
TGB-55XV	27165-5	31.0"	5-1/2" X		Grey	12	13
TGB75-5XV	27168-6	31.0"	5-3/4" X		Grey	12	13
TGB100-5XV	27171-6	31.0"	5-1" X		Grey	12	13



DTB-5V

Deep, Two Gang Outlet Box with 5 Threaded Outlets

4-9 / 16" x 4-5 / 8" x 2-5 / 8", closure plugs, ground screw and mounting lugs included

BWF#	Unit UPC 0-87115	Unit Cubic	Outlets	Description	Color	Case Qty.	Case Weight
DTB-5V	38028-9	36.0	5-1/2"		Grey	6	7
DTB-75V	27183-9	36.0	5-3/4"		Grey	6	7
DTB-100V	27186-0	36.0	5-1"		Grey	6	7



**TGB-56XV
"X" Type**

Two Gang Outlet Box with 6 "X" Type Threaded Outlets

4-9 / 16" x 4-5 / 8" x 2", closure plugs, ground screw and mounting lugs included

BWF#	Unit UPC 0-87115	Unit Cubic	Outlets	Description	Color	Case Qty.	Case Weight
Show Pak							
TGB-56XV	27174-7	31.0"	6-1/2" X		Grey	12	13
TGB75-6XV	27177-8	31.0"	6-3/4" X		Grey	12	13

Two Gang Outlet Box with 7 Threaded Outlets

4-9 / 16" x 4-5 / 8" x 2", closure plugs, ground screw and mounting lugs included

BWF#	Unit UPC 0-87115	Unit Cubic	Outlets	Description	Color	Case Qty.	Case Weight
Show Pak							
TGB-57V	27159-4	31.0	7-1/2"		Grey	12	13
TGB-77V	27162-4	31.0	7-3/4"		Grey	12	13

Two Gang Outlet Box with 7 "X" Type Threaded Outlets

STD: 4-9 / 16" x 4-5 / 8" x 2",

DEEP: 4-9 / 16" x 4-5 / 8" x 2-5 / 8", closure plugs, ground screw & mounting lugs included



DTB75-7XV

BWF#	Unit UPC 0-87115	Unit Cubic	Outlets	Description	Color	Case Qty.	Case Weight
Show Pak							
TGB-57XV	27178-5	31.0	7-1/2" X		Grey	12	13
TGB-77XV	27179-2	31.0	7-3/4" X		Grey	12	13
DTB75-7XV	27192-1	36.0	7-3/4" X, Deep		Grey	6	7
DTB100-7XV	27195-2	36.0	7-1" X, Deep		Grey	6	7

Round Weatherproof Outlet Boxes – Die Cast Metal

BWF Product Benefits & Features

- Rugged, seamless, die-cast construction that prevents moisture entry
- Reinforced connector outlets provide a secure mechanical installation
- State of the art powder coat finish for maximum durability
- Closure plugs, ground screw and mounting lugs included
- Complete installation instructions included with each product

Applications

- For use in branch circuit wiring in wet, damp or dry locations
- May be used as a weatherproof junction box, or as a housing for receptacles, switches and GFCI's

Round Outlet Box with 5 Threaded Outlets

4-9 / 16" x 4-5 / 8" x 2", closure plugs, ground screw and mounting lugs included

BWF#	Unit UPC 0-87115	Unit Cubic	Description Outlets	Color	Case Qty.	Case Weight
Show Pak						
RB-5V	20066-2	16.5	5-1/2"	Grey	16	12
RB-5AV	20565-0	16.5	5-1/2"	Bronze	16	12
RB-5WV	20765-4	16.5	5-1/2"	White	16	12
RB-7V	27200-3	16.5	5-3/4"	Grey	16	12
Blister Carded						
3505-1	03505-9	16.5	5-1/2"	Grey	6	5
3505AB-1	20568-1	16.5	5-1/2"	Bronze	6	5
3505W-1	50030-4	16.5	5-1/2"	White	6	5



RB-5V



RB-5CGV

Round Outlet Box with 5 Threaded Outlets

4-9 / 16" x 4-5 / 8" x 2", cover, screws, closure plugs, ground screw, gasket & mounting lugs included

BWF#	Unit UPC 0-87115	Unit Cubic	Description Outlets	Color	Case Qty.	Case Weight
Show Pak						
RB-5CGV	27208-9	16.5	5-1/2"	Grey	16	12
RB-7CGV	27211-9	16.5	5-3/4"	Grey	16	12

Extensions & Extension Adapters – Die Cast Metal

One Gang Box Extension

4-9 / 16" x 2-13 / 16" x 1", gasket & mounting screws included

BWF#	Unit UPC 0-87115	Unit Cubic	Description Outlets	Color	Case Qty.	Case Weight
Show Pak						
EXR-1V	35007-7	10	1"	Grey	24	7
EXR-1WV	27137-2	10	1"	White	24	7
Blister Carded						
10XR-1	01013-1	65	1"	Grey	6	2
10XRAB-1	35503-4	65	1"	Bronze	6	2
10XRW-1	50165-3	65	1"	White	6	2



EXR-1V

One Gang Box Extension Adapter – Flanged

5-1 / 4" x 3-1 / 2" x 1-1 / 2", closure plugs, mounting screws & gasket included

BWF#	Unit UPC 0-87115	Unit Cubic	Description Outlets	Color	Case Qty.	Case Weight
Show Pak						
EXF5-2V	35011-4	13.3	4-1/2"	Grey	12	7
EXF75-2V	27140-2	13.3	4-3/4"	Grey	12	8
EXF75-2WV	21742-6	13.3	4-3/4"	White	12	8
Blister Carded						
10XF-1	01011-7	76	4-1/2"	Grey	6	4
10XFAB-1	35513-3	76	4-1/2"	Bronze	6	4
10XFW-1	50170-7	76	4-1/2"	White	6	4



EXF5-2V



EXR-2V

Extensions & Extension Adapters –Die Cast Metal

Two Gang Outlet Box Extension

4-9 / 16" x 4-5 / 8" x 1", gasket & mounting screws included

BWF#	Unit UPC 0-87115	Unit Cubic	Description Outlets	Color	Case Qty.	Case Weight
Show Pak						
EXR-2V	35008-4	16.3	1"	Grey	12	4
EXR-2AV	27198-3	16.3	1"	Bronze	12	4



EX-5V

Round Outlet Box Extension with 4 Threaded Outlets

4-9 / 16" x 4-5 / 8" x 2", closure plugs, mounting screws & gasket included

BWF#	Unit UPC 0-87115	Unit Cubic	Description Outlets	Color	Case Qty.	Case Weight
Show Pak						
EX-5V	35030-5	18.3	4-1/2"	Grey	18	10
EX-7V	27205-8	18.3	4-3/4"	Grey	18	10

Swimming Pool Junction Boxes – Metal/Plastic

Swimming Pool Junction Boxes with 3 Threaded Outlets

4-9 / 16" x 4-5 / 8" x 2", gasket included



PB-50

BWF#	Unit UPC 0-87115	Unit Cubic	Description Outlets	Color	Case Qty.	Case Weight
Boxed						
PB-50	26005-5	22	3-1/2"	Brass	10	15
PB-75	34010-8	22	3-3/4"	Brass	10	15
PB-100	34015-3	22	2-3/4"/1-1"	Brass	10	15

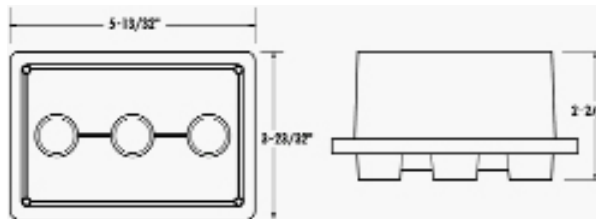
For use with installation of underwater pool lights.

For connecting to 120V or low voltage below normal water level of the pool.

Complies with the latest NEC, UL and CSA standards. Solid brass wiring platform with grounding post and 3 ground terminals - use with metallic or PVC conduit.

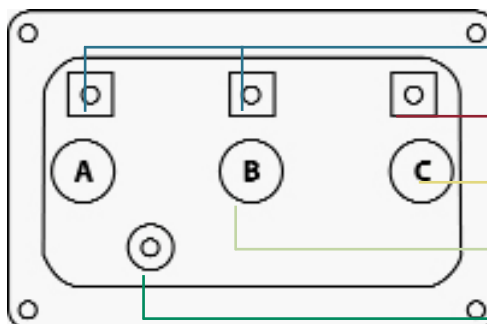
NOTE: To achieve watertight installation, reference is made to the 1999 National Electrical Code (NEC) Article 680-20(b)(2) which states "The end of the flexible-cord jacket and the flexible-cord conductor terminations within a fixture shall be covered with, or encapsulated in, a suitable potting compound to prevent the entry of water into the fixture through the cord or its conductors. In addition, the grounding connection within a fixture shall be similarly treated to protect such connection from the deteriorating effect of pool water in the event of water entry into the fixture." Article 680-21 Exception (a), which states "An approved potting compound is used to fill the box to prevent the entrance of moisture."

Outside Dimensions



NPF Conduit Hub			
BWF#	A	B	C
PB-50	1/2"	1/2"	1/2"
PB-75	3/4"	3/4"	3/4"
PB-100	3/4"	1"	3/4"

Outside Dimensions

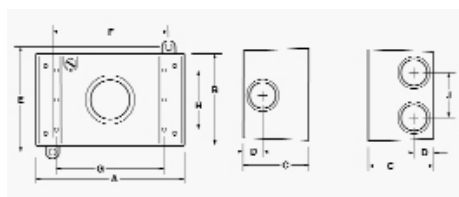


- Grounding Post for flexible cord ground wire
- Grounding Post for attaching grounding conductor from feed wire
- Use Hub "C" for entry of feed wiring
- Use Hub "B" for entry of flexible cord from pool light
- Compression Grounding Post for bonding wire (if required)

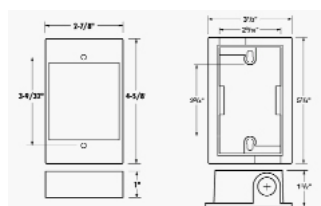
One Gang Box & Extension Drawings

Single Gang Boxes – Standard & Deep Dimensions and Cubic Inches

BWF#	Hub Size	A	B	C	D	E	F	G	H	J	Cubic Inches
B-5V	1/2"	4-9/16"	2-13/16"	2"	5/8"	3-3/16"	3-1/2"	3-1/4"	1-7/8"	–	18.3"
B-75V	3/4"	4-9/16"	2-13/16"	2"	5/8"	3-3/16"	3-1/2"	3-1/4"	1-7/8"	–	18.3"
B-100V	1"	4-9/16"	2-13/16"	2"	5/8"	3-3/16"	3-1/2"	3-1/4"	1-7/8"	–	18.3"
DB-5V	1/2"	4-9/16"	2-13/16"	25/8"	3/4"	3-3/16"	3-1/2"	3-1/4"	1-7/8"	–	23.8"
DB-75V	3/4"	4-9/16"	2-13/16"	25/8"	3/4"	3-3/16"	3-1/2"	3-1/4"	1-7/8"	–	23.8"
DB-100V	1"	4-9/16"	2-13/16"	25/8"	3/4"	3-3/16"	3-1/2"	3-1/4"	1-7/8"	–	23.8"
B5-2V	1/2"	4-9/16"	2-13/16"	2"	5/8"	3-3/16"	3-1/2"	3-1/4"	1-7/8"	1-1/2"	18.3"
B75-2V	3/4"	4-9/16"	2-13/16"	2"	5/8"	3-3/16"	3-1/2"	3-1/4"	1-7/8"	1-1/2"	18.3"
B5-22V	1/2"	4-9/16"	2-13/16"	2"	5/8"	3-3/16"	3-1/2"	3-1/4"	1-7/8"	1-1/2"	18.3"
B75-22V	3/4"	4-9/16"	2-13/16"	2"	5/8"	3-3/16"	3-1/2"	3-1/4"	1-7/8"	1-1/2"	18.3"
B5-22XV	1/2"	4-9/16"	2-13/16"	2"	5/8"	3-3/16"	3-1/2"	3-1/4"	1-7/8"	–	18.3"
B75-22XV	3/4"	4-9/16"	2-13/16"	2"	5/8"	3-3/16"	3-1/2"	3-1/4"	1-7/8"	–	18.3"
B100-22XV	1"	4-9/16"	2-13/16"	2"	5/8"	3-3/16"	3-1/2"	3-1/4"	1-7/8"	–	18.3"
DB5-22XV	1/2"	4-9/16"	2-13/16"	2-5/8"	3/4"	3-3/16"	3-1/2"	3-1/4"	1-7/8"	–	23.8"
DB75-22XV	3/4"	4-9/16"	2-13/16"	2-5/8"	3/4"	3-3/16"	3-1/2"	3-1/4"	1-7/8"	–	23.8"
DB-100-22XV	1"	4-9/16"	2-13/16"	2-5/8"	3/4"	3-3/16"	3-1/2"	3-1/4"	1-7/8"	–	23.8"



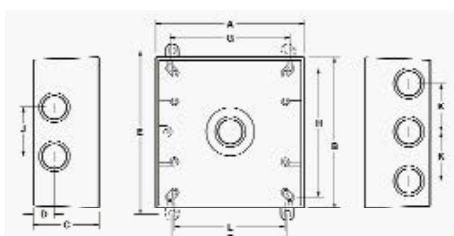
Extensions and Extension Adapters are used to provide additional capacity needed for NEC box fill requirements. Adapters allow installer to add "take-offs" to new boxes and/or devices.



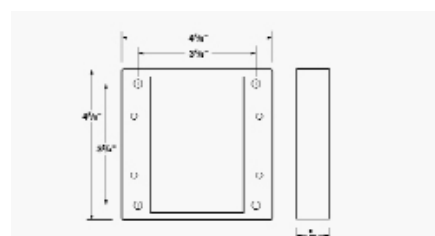
Two Gang Box & Extension Drawings

Two Gang Boxes – Standard & Deep Dimensions and Cubic Inches

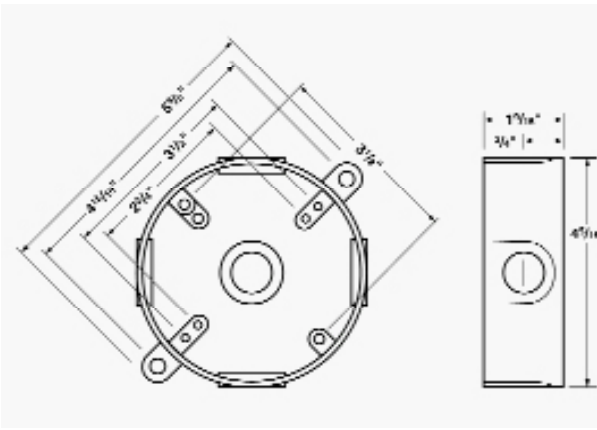
BWF#	Hub Size	A	B	C	D	E	F	G	H	J	K	L	Cubic Inches
TGB-5V	1/2"	4-9/16"	4-5/8"	2"	5/8"	5"	3-7/8"	3-11/16"	3-3/4"	–	–	3-1/4"	30.5"
TGB-75V	3/4"	4-9/16"	4-5/8"	2"	5/8"	5"	3-7/8"	3-11/16"	3-3/4"	–	–	3-1/4"	30.5"
TGB-100V	1"	4-9/16"	4-5/8"	2"	5/8"	5"	3-7/8"	3-11/16"	3-3/4"	–	–	3-1/4"	30.5"
TGB-54V	1/2"	4-9/16"	4-5/8"	2"	5/8"	5"	3-7/8"	3-11/16"	3-3/4"	1-1/2"	–	3-1/4"	30.5"
TGB75-4V	3/4"	4-9/16"	4-5/8"	2"	5/8"	5"	3-7/8"	3-11/16"	3-3/4"	1-1/2"	–	3-1/4"	30.5"
TGB-55V	1/2"	4-9/16"	4-5/8"	2"	5/8"	5"	3-7/8"	3-11/16"	3-3/4"	1-1/2"	–	3-1/4"	30.5"
TGB75-5V	3/4"	4-9/16"	4-5/8"	2"	5/8"	5"	3-7/8"	3-11/16"	3-3/4"	1-1/2"	–	3-1/4"	30.5"
TGB-55XV	1/2"	4-9/16"	4-5/8"	2"	5/8"	5"	3-7/8"	3-11/16"	3-3/4"	–	–	3-1/4"	30.5"
TGB75-5XV	3/4"	4-9/16"	4-5/8"	2"	5/8"	5"	3-7/8"	3-11/16"	3-3/4"	–	–	3-1/4"	30.5"
TGB100-5XV	1"	4-9/16"	4-5/8"	2"	5/8"	5"	3-7/8"	3-11/16"	3-3/4"	–	–	3-1/4"	30.5"
DTB-5V	1/2"	4-9/16"	4-5/8"	2-5/8"	3/4"	5"	3-7/8"	3-11/16"	3-3/4"	1-1/2"	–	3-1/4"	40.3"
DTB-75V	3/4"	4-9/16"	4-5/8"	2-5/8"	3/4"	5"	3-7/8"	3-11/16"	3-3/4"	1-1/2"	–	3-1/4"	40.3"
DTB-100V	1"	4-9/16"	4-5/8"	2-5/8"	3/4"	5"	3-7/8"	3-11/16"	3-3/4"	1-1/2"	–	3-1/4"	40.3"
TGB-56XV	1/2"	4-9/16"	4-5/8"	2"	5"	3-7/8"	3-11/16"	3-3/4"	1-1/2"	–	3-1/4"	30.5"	
TGB75-6XV	3/4"	4-9/16"	4-5/8"	2"	5"	3-7/8"	3-11/16"	3-3/4"	1-1/2"	–	3-1/4"	30.5"	
TGB-57V	1/2"	4-9/16"	4-5/8"	2"	5"	3-7/8"	3-11/16"	3-3/4"	–	1-1/2"	3-1/4"	40.3"	
TGB-77V	3/4"	4-9/16"	4-5/8"	2"	5"	3-7/8"	3-11/16"	3-3/4"	–	1-1/2"	3-1/4"	40.3"	
DTB-57XV	1/2"	4-9/16"	4-5/8"	2-5/8"	3/4"	5"	3-7/8"	3-11/16"	3-3/4"	1-1/2"	–	3-1/4"	40.3"
DTB75-7XV	3/4"	4-9/16"	4-5/8"	2-5/8"	3/4"	5"	3-7/8"	3-11/16"	3-3/4"	1-1/2"	–	3-1/4"	40.3"
DTB100-7XV	1"	4-9/16"	4-5/8"	2-5/8"	3/4"	5"	3-7/8"	3-11/16"	3-3/4"	1-1/2"	–	3-1/4"	40.3"



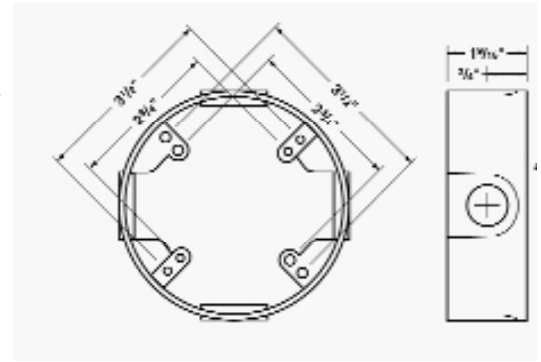
Extensions and Extension Adapters are used to provide additional capacity needed for NEC box fill requirements. Adapters allow installer to add "take-offs" to new boxes and/or devices.



Round Box & Extension Drawings



Extensions and Extension Adapters are used to provide additional capacity needed for NEC box fill requirements. Adapters allow installer to add "take-offs" to new boxes and/or devices.



One Gang Weatherproof Blank Covers – Stamped Steel

BWF Product Benefits & Features

- Rugged, seamless construction that prevents moisture entry
- State of the art powder coat finish for maximum durability
- Includes installation hardware, gasket and instructions

Steel One Gang Blank Cover

4 9/16" x 2 13/16", stamped steel cover, gasket & screws included



BC-1V

BWF#	Unit UPC 0-87115	Outlets	Description Color	Case Qty.	Case Weight
Show Pak					
BC-1V	29005-2	Blank	Grey	42	4
BC-1AV	29505-7	Blank	Bronze	42	4
BC-1WV	29705-1	Blank	White	42	4
Blister Carded					
711-1	00711-7	Blank	Grey	12	2
711AB-1	29509-5	Blank	Bronze	12	2
711W-1	50105-9	Blank	White	12	2

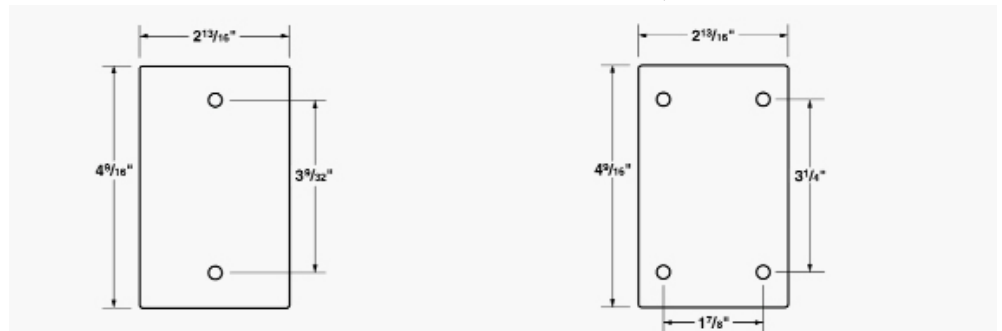
Steel One Gang Blank Cover, "X" Type

4 9/16" x 2 13/16", stamped steel cover, gasket & screws included



BC-1XV

BWF#	Unit UPC 0-87115	Outlets	Description Color	Case Qty.	Case Weight
Show Pak					
BC-1XV	27231-7	Blank X	Grey	42	5



Weatherproof "While-In-Use" Receptacle Covers

BWF Product Benefits & Features

- Meets NEC Article 410-57(b). The code requires receptacles be protected in outdoor or other wet locations with the cord set plugged in, unless the receptacle is attended.
- All covers are shipped with gasket, mounting screws, base and cover assembly, two inserts and complete "easy-to-install" instructions.
- Covers may be mounted to a box or device.
- When security is important, there are covers available with a lockable hasp.

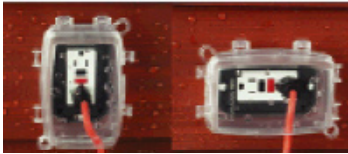
COMPLIANCES

- UL Listed - CSA Certified
- NEMA 3R rated



APPLICATIONS

- Where weatherproof protection is required while an outlet is in use, such as; bug zappers, holiday lighting, low voltage lighting, soda machines, portable spas, engine block heater, irrigation pond pumps, etc.



MEETS 2002 NEC 406.8(B) (1) Receptacles installed outdoors in a wet location must have an enclosure that is weatherproof when you insert the attachment plug.

HIGH IMPACT CLEAR POLYCARBONATE "WHILE-IN-USE" COVERS

gasket, mounting screws, base & cover assembly, 2 inserts included

PACKAGE TYPE	BWF No.	Unit UPC 0-87115	Description	Color	Case QTY	Case WT	
SHOW PAK	WT1000C*	00102-3	1 gang Vertical ONLY	2 1/4"	Clear	6	3
	WT1010C*	34014-6	1 gang Vertical ONLY	3 1/8"	Clear	6	8
	WT1100C	00100-9	1 gang vertical/horizontal	2 1/4"	Clear	5	4.25
	WT1110C	34022-1	1 gang vertical/horizontal	3 1/8"	Clear	6	8
	WT1020C	34016-0	2 gang/horizontal only	2 1/4"	Clear	5	8
	WT1220C	00200-6	2 gang	2 1/4"	Clear	5	8
	WT1230C	34027-6	2 gang	3 1/8"	Clear	6	8
	WT1250C	34028-3	2 gang	4 3/4"	Clear	6	8

*With lockable hasp



SWIUTV vertical, transparent lid
SWIUGV vertical, gray
SWIUWV vertical, white

SWIUTH horizontal, transparent lid
SWIUGH horizontal, gray
SWIUWH horizontal, white

FEATURES

- Low profile only 1-9/16" deep
- No bending of the cord inside the cover
- Suitable for wet locations (NEMA 3R)
- Durable Extra duty complies with NEC Article 406.9(B)(1)
- Rated for 15 Amp
- Lockable
- Vertical and Horizontal versions
- UV-rated polycarbonate with Transparent, Gray or White color



One Gang Weatherproof Raised Covers – Die Cast Metal



RC-1V

One Gang Rectangular Lampholder Cover – One 1/2" Hole

4 9/16" x 2 13/16" x 1 1/16", gasket & screws included

BWF#	Unit UPC 0-87115	Description Outlets	Color	Case Qty.	Case Weight
Show Pak					
RC-1V	28036-7	1-1/2"	Grey	20	6
RC-1AV	52880-3	1-1/2"	Bronze	20	6
RC-1WV	52879-7	1-1/2"	White	20	6
Blister Carded					
811-1	00811-4	1-1/2"	Grey	12	5
811AB-1	28542-3	1-1/2"	Bronze	12	5
811W-1	50095-3	1-1/2"	White	12	5

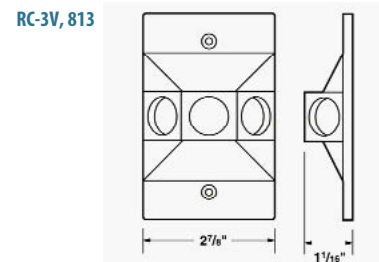
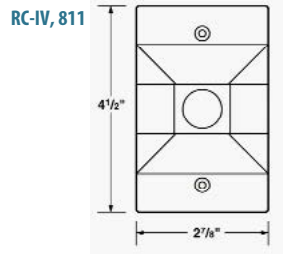


RC-3V

One Gang Rectangular Lampholder Cover – Three 1/2" Holes

4 9/16" x 2 13/16" x 1 1/16", gasket, screws and closure plugs included

BWF#	Unit UPC 0-87115	Description Outlets	Color	Case Qty.	Case Weight
Show Pak					
RC-3V	28056-5	3-1/2"	Grey	20	6
RC-3AV	28555-3	3-1/2"	Bronze	20	6
RC-3WV	28755-7	3-1/2"	White	20	6
Blister Carded					
813-1	00813-8	3-1/2"	Grey	12	4
813AB-1	28566-9	3-1/2"	Bronze	12	4
813W-1	50100-4	3-1/2"	White	12	4



FG-1DCV

One Gang Cover for Horizontal GFCI Devices

Self closing cover, gasket & screws included

BWF#	Unit UPC 0-87115	Description Outlets	Color	Case Qty.	Case Weight
Show Pak					
FG-1DCV	25006-3	Horiz GFCI	Grey	24	12
FG-1DCAV	25505-1	Horiz GFCI	Bronze	24	12
FG-1DCWV	25705-5	Horiz GFCI	White	24	2
Blister Carded					
511H-1	05114-1	Horiz GFCI	Grey	6	3
511HAB-1	25508-2	Horiz GFCI	Bronze	6	3
511HW-1	50065-6	Horiz GFCI	White	6	3

One Gang Weatherproof Covers – Die Cast Metal

Horizontal GFCI Kit Includes:

Rectangular 3-hole box, self closing GFCI cover, GFCI receptacle, hardware & instructions

BWF#	Unit UPC 0-87115	Description Outlets	Color	Case Qty.	Case Weight
Display Box Kit					
GFBK	41200-3	Horiz GFCI Kit	Grey	10	17
GFBKAB	41205-8	Horiz GFCI Kit	Bronze	10	17
GFBKW	50220-9	Horiz GFCI Kit	White	10	17
GFBKB	50221-6	Horiz GFCI Kit	Black	10	17



GFBK-C

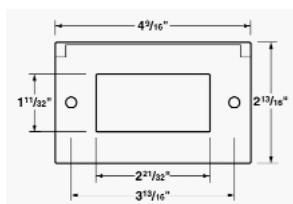
One Gang Cover for Vertical GFCI Devices

Self closing cover, gasket & screws included

BWF#	Unit UPC 0-87115	Description Outlets	Color	Case Qty.	Case Weight
Show Pak					
FGV-1DCV	25012-4	Vertical GFCI	Grey	24	12
FGV-1DCAV	25510-5	Vertical GFCI	Bronze	24	12
FGV-1DCWV	25710-9	Vertical GFCI	White	24	12
Blister Carded					
511V-1	05115-8	Vertical GFCI	Grey	6	3
511VAB-1	25513-6	Vertical GFCI	Bronze	6	3
511VW-1	50070-0	Vertical GFCI	White	6	3



FGV-1DCV



GFCI: Ground Fault Circuit Interrupter or “Shock Protection” outlet stops the flow of electricity at the outlet. Required by the National Electrical Code (NEC) for wet or damp locations, inside or out.

One Gang Vertical Cover for Duplex Receptacles, Switches or Combination Devices

Self closing cover, gasket & screws included

BWF#	Unit UPC 0-87115	Description Outlets	Color	Case Qty.	Case Weight
Show Pak					
FCL-62V	22095-0 (Locking)	Vertical	Grey	24	8
FC-61AV	52884-1	Vertical	Bronze	24	8
FC-61WV	52883-4	Vertical	White	24	8
Blister Carded					
4161-1	22096-7	Vertical	Grey	24	8

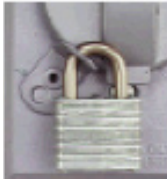


FCL-62V

One Gang Weatherproof Covers – Die Cast Metal



FC-71V



FCL-71V

One Gang Vertical Cover for a Single Receptacle or Switch

Self closing cover, gasket & screws included

BWF#	Unit UPC 0-87115	Outlets	Description Color	Case Qty.	Case Weight
Show Pak					
FC-71V	23007-2	Vertical	Grey	24	8
FC-71AV	27240-9	Vertical	Bronze	24	8
FC-71WV	27241-6	Vertical	White	24	8
FCL-71V (Locking)	27255-3	Vertical	Grey	24	8
SO-71V	27246-1	Vert Stay Open	Grey	24	8
Blister Carded					
4171 -1	04171-5	Vertical	Grey	6	2
4171AB -1	23508-4	Vertical	Bronze	6	2
4171W 5-1	0040-3	Vertical	White	6	2

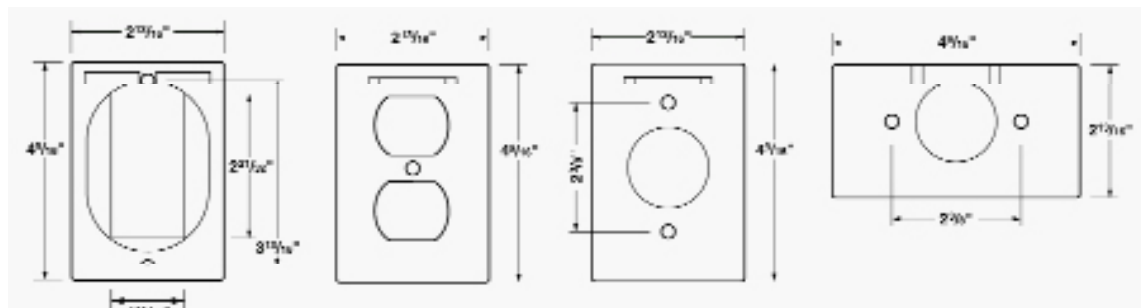


FC-71HV

One Gang Horizontal Cover for a Single Receptacle or Switch

Self closing cover, gasket & screws included

BWF#	Unit UPC 0-87115	Outlets	Description Color	Case Qty.	Case Weight
Show Pak					
FC-71HV	27242-3	Horizontal	Grey	24	8
FC-71HAV	27243-0	Horizontal	Bronze	24	8
FC-71HWV	27244-7	Horizontal	White	24	8



One Gang Weatherproof Covers – Die Cast Metal

One Gang Horizontal Cover for a Duplex Receptacle or Switch

Self closing cover, gasket & screws included

BWF#	Unit UPC 0-87115	Description Outlets	Color	Case Qty.	Case Weight
Show Pak					
FC-81V	23015-7	Horizontal	Grey	24	10
FC-81AV	23510-7	Horizontal	Bronze	24	10
FC-81WV	23710-1	Horizontal	White	24	10
SO-81V	27249-2	Horiz Stay Open	Grey	24	9
SO-81AV	27250-8	Horiz Stay Open	Bronze	24	9
SO-81WV	27251-5	Horiz Stay Open	White	24	9
Blister Carded					
4181-1	04181-4	Horizontal	Grey	12	5
4181AB-1	23521-3	Horizontal	Bronze	12	5
4181W-1	50045-8	Horizontal	White	12	5



FC-81V

One Gang Horizontal Cover for a Duplex Receptacle

Self closing cover, receptacle, gasket & screws included

BWF#	Unit UPC 0-87115	Description Outlets	Color	Case Qty.	Case Weight
Show Pak					
FC-81RV	23019-5	w/Receptacle	Grey	18	12
FC-81RAV	27245-4	w/Receptacle	Bronze	18	12
FC-81RWV	23018-8	w/Receptacle	White	18	12
Blister Carded					
4181R-1	41813-5	w/Receptacle	Grey	6	4
4181RAB-1	23526-8	w/Receptacle	Bronze	6	4
4181RW-1	50050-2	w/Receptacle	White	6	4



FC-81RV

Double Outlet Kit Includes:

Rectangular 3 hole box, self closing duplex cover, duplex receptacle, hardware & instructions

BWF#	Unit UPC 0-87115	Description Cover	Color	Case Qty.	Case Weight
Display Box Kit					
B81RK	08130-8	Duplex Kit	Grey	10	14
B81RKAB	08136-0	Duplex Kit	Bronze	10	14
B81RKW	50210-0	Duplex Kit	White	10	14
B81RKB	08135-3	Duplex Kit	Black	10	14



B81RK-C

One Gang Weatherproof Covers – Die Cast Metal

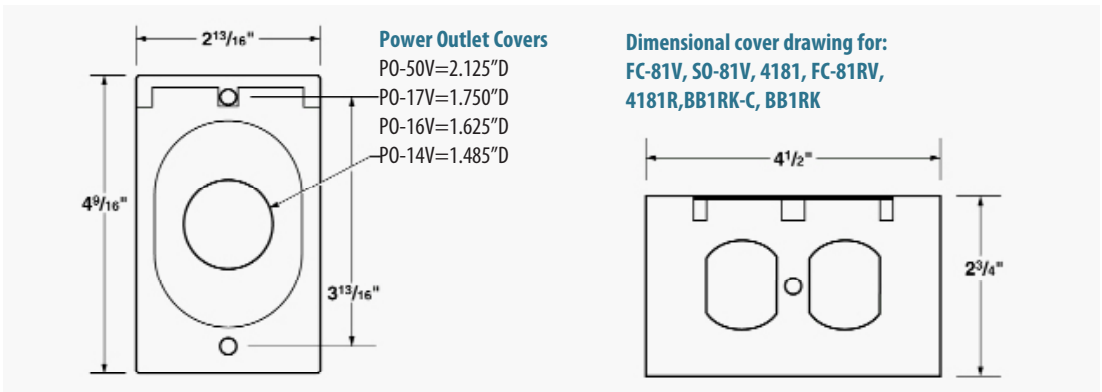


PO-50V

One Gang Power Outlet Cover for Single Receptacle; 20A, 30A, 50A

Self closing cover, gasket & screws included

BWF#	Unit UPC 0-87115	Amps	Opening	Description	Color	Case Qty.	Case Weight
Show Pak							
PO-50V	26006-2	20A-50A	2.125"		Grey	24	15
PO-17V	27269-0	30A	1.750"		Grey	24	15
PO-16V	27272-0	20A & 30A	1.625"		Grey	24	15
PO-14V	27275-1	STD	1.438"		Grey	24	15



TS-1V

One Gang Weatherproof Toggle Switch Covers – Die Cast Metal

One Gang Toggle Switch Cover for One 10A or 20A Switch

Gasket & screws included

BWF#	Unit UPC 0-87115	Switch	Description	Color	Case Qty.	Case Weight
Show Pak						
TS-1V	27281-2	N/A		Grey	20	5

One Gang Lockable Multi - Use Weatherproof Covers – Die Cast Metal

One Gang Vertical Cover,

Die cast cover, inserts, gasket & screws included

BWF#	Unit UPC 0-87115	Color	Case Qty.	Case Weight
Show Pak				
FCLV-MUSE-V	22097-4	Grey	24	7.00
FCLV-MUSE-AV	22098-1	Bronze	24	7.00
FCLV-MUSE-WV	22099-8	White	24	7.00
Blister Carded				
FCLV-MUSE-1	22106-3	Grey	6	2.00
FCLV-MUSE-A1	22107-0	Bronze	6	2.00
FCLV-MUSE-W1	22108-7	White	6	2.00



3 Configurations



Duplex



GFCI



Adapter
for 1 3/8
Round
(included)

One Gang Lockable Multi - Use Weatherproof Covers – Die Cast Metal

One Gang Horizontal Cover,

Die cast cover, inserts, gasket & screws included

BWF#	Unit UPC 0-87115	Color	Case Qty.	Case Weight
Show Pak				
FCL-MUSE-V	22100-1	Grey	24	7.00
FCL-MUSE-AV	22101-8	Bronze	24	7.00
FCL-MUSE-WV	22102-5	White	24	7.00
Blister Carded				
FCL-MUSE-1	22109-4	Grey	6	2.00
FCL-MUSE-A1	22110-0	Bronze	6	2.00
FCL-MUSE-W1	22111-7	White	6	2.00



3 Configurations



Duplex



GFCI



Adapter
for 1 3/8
Round
(included)



TS-11V



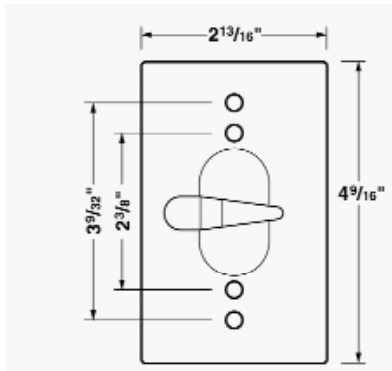
- All BWF switch covers are made of rugged, die cast metal construction.
- For use when weatherproof protection is required for an "on-off" type switch.

One Gang Weatherproof Toggle Switch Covers - Die Cast Metal

One Gang Toggle Switch Cover with Switch

Gasket & screws included

BWF#	Unit UPC 0-87115	Switch	Description Color	Case Qty.	Case Weight
Show Pak					
TS-11V	27012-2	15A/single pole	Grey	18	10
TS-11AV	27284-3	15A/single pole	Bronze	18	10
TS-11WV	27011-5	15A/single pole	White	18	10
TS-13V	27016-0	15A/3 way	Grey	18	10
TS-15V	27287-4	20A/single pole	Grey 18		10
TS-15AV	27288-1	20A/single pole	Bronze	18	10
TS-15WV	27289-8	20A/single pole	White	18	10
Blister Carded					
611-1	00611-0	15A/single pole	Grey	6	2
611AB-1	27512-7	15A/single pole	Bronze	6	2
611W-1	50075-5	15A/single pole	White	6	2
613-1	00613-4	15A/3 way	Grey	6	3
613AB-1	50081-6	15A/3 way	Bronze	6	3
613W-1	50080-9	15A/3 way	White	6	3



Dimensional cover drawing for:
TS-1V, TS-11V, TS-13V, TS-15V, 611, 613



BC-2V

Two Gang Weatherproof Covers - Stamped Steel

Two Gang Blank Cover

Stamped steel cover, gasket & screws included

BWF#	Unit UPC 0-87115	Cover	Description Color	Case Qty.	Case Weight
Show Pak					
BC-2V	29010-6	Blank	Grey	24	3
BC-2AV	27290-4	Blank	Bronze	24	3
BC-2WV	27291-1	Blank	White	24	3
Blister Carded					
722-1	00722-3	Blank	Grey	12	2
722AB-1	29516-3	Blank	Bronze	12	2
722W-1	50110-3	Blank	White	12	2



FGV-291V

Two Gang Cover for 1 GFCI Receptacle & 1 Single Switch or Receptacle

Die cast self closing cover, gasket & screws included

BWF#	Unit UPC 0-87115	Unit Cubic	Cover	Description Color	Case Qty.	Case Weight
Show Pak						
FGV-291V	27292-8		Two Gang	Grey	18	9

Two Gang Weatherproof Covers – Die Cast Metal

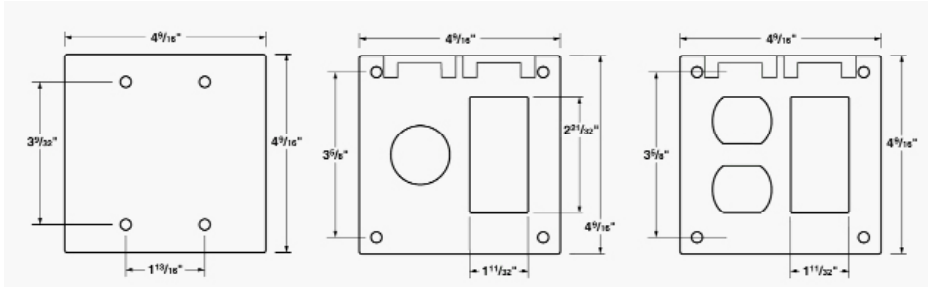
Two Gang Cover for 1 GFCI Receptacle & 1 Duplex Receptacle, Switch or Combination Device

Die cast self closing cover, gasket & screws included

BWF#	Unit UPC 0-87115	Cover	Description	Color	Case Qty.	Case Weight
Show Pak						
FGV-261V	27295-9	Two Gang		Grey	18	9
FGV-261AV	27296-6	Two Gang		Bronze	18	9
FGV-261WV	27297-3	Two Gang		White	18	9



FGV-261V



Two Gang Cover for 2 GFCI Receptacles

Self closing cover, gasket & screws included

BWF#	Unit UPC 0-87115	Cover	Description	Color	Case Qty.	Case Weight
Show Pak						
FGV-2DCV	25031-5	Two Gang		Grey	18	9



FGV-2DCV

Two Gang Cover for 1 GFCI Receptacle & 1 10A/20A Switch

Self closing cover, gasket & screws included

BWF#	Unit UPC 0-87115	Cover	Description	Color	Case Qty.	Case Weight
Show Pak						
FGV-TS1V	25040-7	Two Gang		Grey	18	9

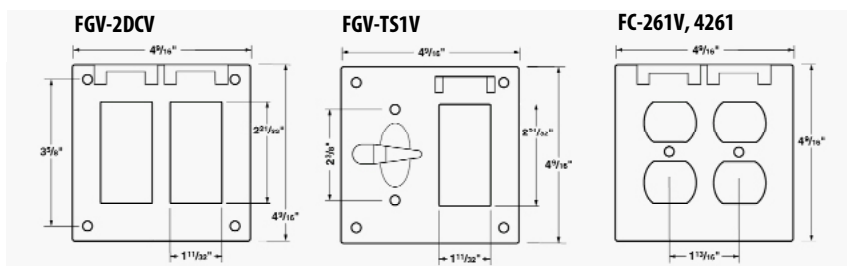


FGV-TS1V

Two Gang Cover for 2 Duplex Receptacles, Switches or Combination Devices

Self closing cover, gasket & screws included

BWF#	Unit UPC 0-87115	Cover	Description	Color	Case Qty.	Case Weight
Show Pak						
FC-261V	24011-8	Two Gang		Grey	18	10
FC-261AV	27303-1	Two Gang		Bronze	18	10
Blister Carded						
4261-1	04261-3	Two Gang		Grey	6	4
4261AB-1	24512-0	Two Gang		Bronze	6	4
4261W-1	50060-1	Two Gang		White	6	4



FC-261V

Two Gang Weatherproof Covers – Die Cast Metal

Universal Duplex Cover, Fits 1 Gang, 2 Gang & Round Boxes

Gasket & screws included



FC-271V

BWF#	Unit UPC 0-87115	Cover	Description Color	Case Qty.	Case Weight
Show Pak					
FC-271V	27305-5	Universal	Grey	18	10

Two Gang Cover for 2 Single Receptacles and/or Switches

gasket & screws included



FC-281V

Left & Right Lids Lock

BWF#	Unit UPC 0-87115	Cover	Description Color	Case Qty.	Case Weight
Show Pak					
FC-281V	24000-2	Two Gang	Grey	18	10
Blister Carded					
4281 -1	04281-1	Two Gang	Grey	6	4
4281AB-1	24502-1	Two Gang	Bronze	6	4
4281W-1	50055-7	Two Gang	White	6	4

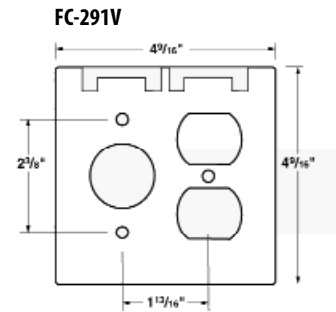
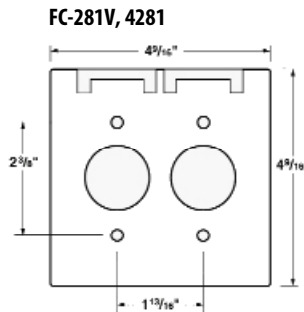
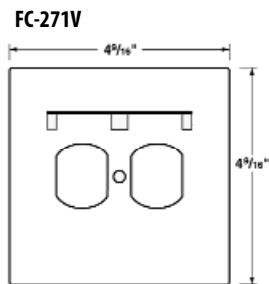
Two Gang Cover for 1 Single Receptacle or Switch & 1 Duplex Receptacle, Switch or Combination Device

Gasket & screws included



FC-291V

BWF#	Unit UPC 0-87115	Cover	Description Color	Case Qty.	Case Weight
Show Pak					
FC-291V	24716-2	Two Gang	Grey	18	11



Two Gang Weatherproof Covers – Die Cast Metal

Two Gang Power Outlet Cover for Single Receptacle; 20A, 30A, 50A, 60A

Die cast self closing cover, gasket & screws included

BWF#	Unit UPC 0-87115	Unit Cubic	Description Opening	Color	Case Qty.	Case Weight
Show Pak						
TPO-50V	26740-5	20A-50A	2.125"	Grey	24	9
TPOL-50V (Locking)	27321-5	20A-50A	2.125"	Grey	24	9
TPO-60V	27324-6	30A-60A	2.64"	Grey	24	9
TPOL-60V (Locking)	27327-7	30A-60A	2.64"	Grey	24	9
TPO-17V	27330-7	30A	1.75"	Grey	24	9

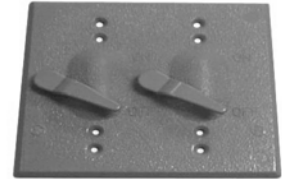


TPO-50V

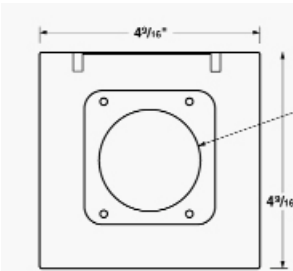
Two Gang Toggle Switch Cover for 2 15A-20A Switches

Stamped aluminum cover, gasket & screws included

BWF#	Unit UPC 0-87115	Unit Cubic	Description Opening	Color	Case Qty.	Case Weight
Show Pak						
TS-2V	27040-5	N/A	N/A	Grey	24	11

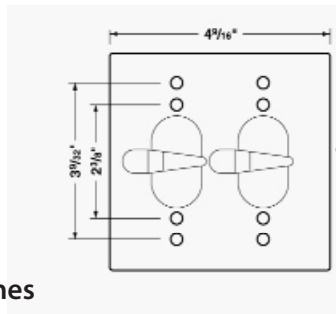


TS-2V

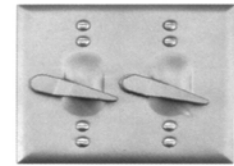


Power Outlet Covers:

- TPO-50V = 2.125"D
- TPOL-50V = 2.125"D
- TPO-60V = 2.64"D
- TPOL-60V = 2.64"D
- TPO-17V = 1.75"D



TS-2V



TS-21V

Two Gang Toggle Switch Cover with 2 Switches

Stamped aluminum cover, gasket & screws included

BWF#	Unit UPC 0-87115	Unit Cubic	Description Switch	Color	Case Qty.	Case Weight
Show Pak						
TS-21V	27040-5	N/A	(2) 15A Single Pole	Grey	18	16
TS-25V	27345-1	N/A	(2) 20A Single Pole	Grey	18	16

Two Gang Toggle Switch & Receptacle Cover for 1 Switch & 1 Duplex Receptacle

Die cast cover, gasket & screws included

BWF#	Unit UPC 0-87115	Unit Cubic	Description Switch	Color	Case Qty.	Case Weight
Show Pak						
TS-161V	27351-2	N/A	N/A	Grey	24	16



TS-161V

Two Gang Weatherproof Covers – Die Cast Metal

Two Gang Cover,

Die cast cover, gasket & screws included



BWF#	Unit UPC 0-87115	Unit Cubic	Color	Case Qty.	Case Weight
Show Pak					
2FCL-MUSE-V	22097-4	N/A	Grey	18	8.00
2FCL-MUSE-AV	22098-1	N/A	Bronze	18	8.00
2FCL-MUSE-WV	22099-8	N/A	White	18	8.00
Blister Carded					
2FCL-MUSE-I	22106-3	N/A	Grey	6	3.00
2FCL-MUSE-AI	28512-6	N/A	Bronze	6	3.00
2FCL-MUSE-WI	50085-4	N/A	White	6	3.00



6 Configurations



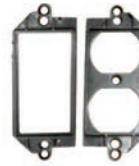
GFCI



Duplex



**1 3/8
Round**



**GFCI &
Duplex**



**Duplex &
Round**



**Duplex &
1 3/8 Round**

Round Weatherproof Covers – Die Cast Metal

Ceiling Outlet Cover, 5" O.D., Flat with Beveled Edge

Stamped aluminum cover with mounting screws

BWF#	Unit UPC 0-87115	Unit Cubic	Cover	Description	Color	Case Qty.	Case Weight
Show Pak							
CC-3WV	27356-7	N/A	for 3" box		White	50	8
CC-4WV	27359-8	N/A	for 4" box		White	50	8



CC-3WV

Round Blank Cover, 4" O.D.

Stamped aluminum covers, gasket & screws included

BWF#	Unit UPC 0-87115	Unit Cubic	Cover	Description	Color	Case Qty.	Case Weight
Show Pak							
RBCV	20100-3	N/A	Blank		Grey	50	10
RBCAV	52882-7	N/A	Blank		Bronze	50	10
RBCWV	52881-0	N/A	Blank		White	50	10



RBCV

Round Lampholder Cover, One 1/2" Hole, 4-1/2" Diameter

Die cast cover, gasket & screws included

BWF#	Unit UPC 0-87115	Unit Cubic	Cover	Description	Color	Case Qty.	Case Weight
Show Pak							
CR-1V	28006-0	N/A	1-1/2"		Grey	24	10
CR-1AV	52877-3	N/A	1-1/2"		Bronze	24	10
CR-1WV	52876-6	N/A	1-1/2"		White	24	10
Blister Carded							
931-1	00931-9	78	1-1/2"		Grey	6	2
931AB-1	28512-6	78	1-1/2"		Bronze	6	2
931W-1	50085-4	78	1-1/2"		White	6	2



CR-1V

Round Lampholder Cover, Three 1/2" Holes, 4-1/2" Diameter

Closure plugs, gasket & screws included

BWF#	Unit UPC 0-87115	Unit Cubic	Cover	Description	Color	Case Qty.	Case Weight
Show Pak							
CR-3V	28026-8		3-1/2"		Grey	24	10
CR-3AV	28525-6		3-1/2"		Bronze	24	10
CR-3WV	28725-0		3-1/2"		White	24	10
Blister Carded							
933-1	00933-3		3-1/2"		Grey	6	3
933AB-1	28532-4		3-1/2"		Bronze	6	3
933W-1	50090-8		3-1/2"		White	6	3
Show Pak							
CRD-3V-(Domed)	28066-4		3-1/2"		Grey	24	10



CR-3V

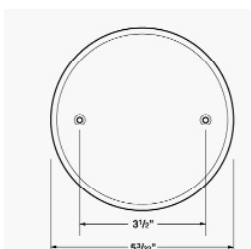
Automatic Door Operated Light Switch

Switch in "ON" when door is open

BWF#	Unit UPC 0-87115	Unit Cubic	Switch	Description	Color	Case Qty.	Case Weight
Show Pak							
DS-1V	09005-8		Automatic		Metal	24	2.5



DS-1V



CC-3WV, CC-4WV

Lampholders – Die Cast Metal

BWF Product Benefits & Features

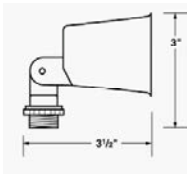
- Rugged, seamless, die-cast construction that prevents moisture entry
- State of the art powder coat finish for maximum durability
- Locking swivel knuckle allows positive lamp positioning and pin-point directional aiming
- Lampholders supplied with porcelain sockets, internal gaskets, extra long wire leads, hardware and installation instructions

Applications

- For exterior or interior lighting
- For safety and security, light walkways, driveways and doorways



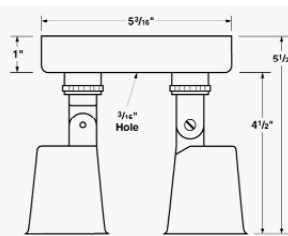
H-1V



HG-100V



SVLD-2



LHC-1V

Die Cast Lampholder

Porcelain socket with leads & internal gasket included

BWF#	Unit UPC 0-87115	Color	Case Qty.	Case Weight
Bulk				
HU-1	30015-7	Unfinished	50	25
Show Pak				
H-1V	30006-5	Grey	27	14
H-1AV	30505-3	Bronze	27	14
H-1WV	30705-7	White	27	14
Blister Carded				
1001-1	01001-8	Grey	6	4
1001AB-1	30156-7	Bronze	6	4
1001W-1	50115-8	White	6	4

Die Cast Lampholder with External Gasket

Porcelain socket with leads & internal gasket included

BWF#	Unit UPC 0-87115	Type	Description	Color	Case Qty.	Case Weight
Show Pak						
HG-100V	27370-3	H1 w/gasket	Grey	Grey	27	15
HG-100AV	27371-0	H1 w/gasket	Bronze	Bronze	27	15
HG-100WV	27372-7	H1 w/gasket	White	White	27	15

Two Lamp Swivel Light with Deep Ceiling Plate

Deep ceiling plate, 2 adjustable lampholders, porcelain sockets with leads & internal gaskets

BWF#	Unit UPC 0-87115	Type	Description	Color	Case Qty.	Case Weight
Boxed						
SVLD-2	31136-8	Deep Box	Grey	Grey	8	14
SVLD-2AB	31537-3	Deep Box	Bronze	Bronze	8	14
SVLD-2W	31737-7	Deep Box	White	White	8	14

Round One Lamp Floodlight Includes:

1 lampholder, porcelain socket with leads, round cover, gaskets & screws

BWF#	Unit UPC 0-87115	Type	Description	Color	Case Qty.	Case Weight
Show Pak						
LHC-1V	31025-5	RD 1 Lamp	Grey	Grey	8	7.5
LHC-1AV	31525-0	RD 1 Lamp	Bronze	Bronze	8	7.5
LHC-1WV	31725-4	RD 1 Lamp	White	White	8	7.5
Blister Carded						
93101-1	66599-7	RD 1 Lamp	Grey	Grey	6	6
93101AB-1	31526-7	RD 1 Lamp	Bronze	Bronze	6	6
93101W-1	50135-6	RD 1 Lamp	White	White	6	6

Lampholders – Die Cast Metal

Round Two Lamp Floodlight Includes:

2 lampholders, porcelain sockets with leads, 3 hole round cover, gaskets & screws

BWF#	Unit UPC 0-87115	Type	Description Color	Case Qty.	Case Weight
Show Pak					
LHC-2V	31035-4	RD 2 Lamp	Grey	8	10.5
LHC-2AV	31535-9	RD 2 Lamp	Bronze	8	10.5
LHC-2WV	31735-3	RD 2 Lamp	White	8	10.5
Blister Carded					
93102-1	66600-0	RD 2 Lamp	Grey	6	9
93102AB-1	31531-1	RD 2 Lamp	Bronze	6	9
93102W-1	50140-0	RD 2 Lamp	White	6	9
93102B-1	31530-4	RD 2 Lamp	Black	6	9



LHC-2V

Round Two Lamp Floodlight Kit Includes:

2 lampholders, porcelain sockets with leads, 3 hole round cover, 5 hole round box, gaskets & screws

BWF#	Unit UPC 0-87115	Type	Description Color	Case Qty.	Case Weight
Display Packaging					
2HRBK	02430-5	RD 2 Lamp Kit	Grey	10	23
2HRBKAB	02436-7	RD 2 Lamp Kit	Bronze	10	23
2HRBKW	50190-5	RD 2 Lamp Kit	White	10	23
2HRBK B	02435-0	RD 2 Lamp Kit	Black	10	23



2HRBK

Rectangular Two Lamp Floodlight Includes:

2 lampholders, porcelain sockets with leads, 3 hole rectangular cover, plug, gaskets & screws

BWF#	Unit UPC 0-87115	Type	Description Color	Case Qty.	Case Weight
Show Pak					
LHR-2V	31065-1	RD 2 Lamp	Grey	8	10
LHR-2AV	31565-6	RD 2 Lamp	Bronze	8	10
LHR-2WV	31765-0	RD 2 Lamp	White	8	10



LHR-2V

Rectangular Two Lamp Floodlight Kit Includes:

2 lampholders, porcelain sockets with leads, 3 hole rectangular cover, 3 hole rectangular box, gaskets & screws

BWF#	Unit UPC 0-87115	Type	Description Color	Case Qty.	Case Weight
Display Box Kit					
2HBK	02400-8	RT 2 Lamp Kit	Grey	10	20
2HBKAB	02406-0	RT 2 Lamp Kit	Bronze	10	20
2HBKW	50185-1	RT 2 Lamp Kit	White	10	20
2HBK B	02405-3	RT 2 Lamp Kit	Black	10	20



2HBK

LED Lampholders

Teddico/BWF is proud to introduce its new 10 watt LED lampholder. This product is available in all three colors (grey, bronze and white) and is cULus listed. It is designed to last more than 15,000 hours and its sleek appearance will enhance your home while providing much needed light to deter trespassers. With adjustable lamp heads, the light can be easily positioned to illuminate desired areas.

Die Cast LED Lampholder



BWF#	Unit UPC 0-87115	Color	Case Qty.	Case Weight
Display Box Kit				
H-1LED	30007-2	GREY	4	4
H-1ABLED	30009-6	BRONZE	4	4
H-1WLED	30008-9	WHITE	4	4

LED Lampholder Kits

TEDDICO/BWF is proud to introduce its new 2 head 10 watt LED lampholder kits. These kits are available in all three colors (white, bronze and grey) and in both the standard cover as well as the deep dish and are cULus listed. They are designed to last more than 15,000 hours and their sleek appearance will enhance your home while providing much needed light to deter trespassers. With adjustable lamp

Round Two Lamp LED Floodlight Kit

BWF#	Unit UPC 0-87115	Color	Case Qty.	Case Weight
Display Box Kit				
LHC-2LED	30013-3	GREY	2	5
LHC-2ABLED	30016-4	BRONZE	2	5
LHC-2WLED	30014-0	WHITE	2	5

Deep Dish LED Floodlight Kit With Motion Sensor

BWF#	Unit UPC 0-87115	Color	Case Qty.	Case Weight
Display Box Kit				
SVLD-2LED-S	30017-1	GREY	2	7
SVLD-2ABLED-S	30019-5	BRONZE	2	7
SVLD-2WLED-S	30018-8	WHITE	2	7



LHC-2LED



SVLD-2LED-S

Garden Lighting – Die Cast Metal



P-3

Incandescent: 75W or 13W CFL max, Bulb not included



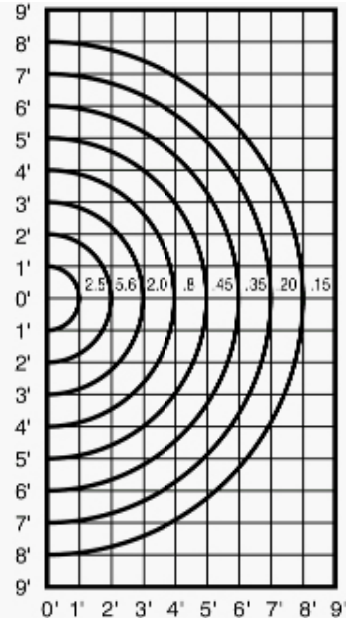
P-4

Incandescent: 75W or 13W CFL max, Bulb not included



Isolux Curve

Wattage	Multiplier	Wattage	Multiplier
150	1.0	50	.27
75	.68	40	.26
60	.44	25	.13



Photometrics:

Based on lamp center 24" above ground. Based on 100 Watt A-19 inside frosted 1750 lumen lamp. For other wattage see table above.



BWF Product Benefits & Features

- Rugged, seamless, die-cast construction that does not allow moisture entry
- State of the art powder coat finish for maximum durability
- Includes screw-in clear glass globe, 5" for 3-Tier, 7" for 4-Tier lights

Applications

- For accent lighting along walkways, driveways, • Lighting around pools, patios and garden areas terraces and porches
- Accent shrubbery and landscaping

Three Tier Louver Light with 5" Glass Globe

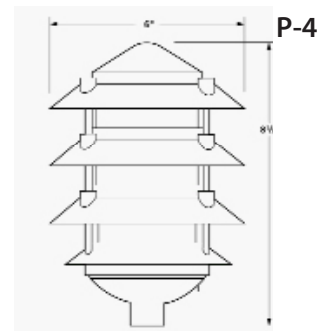
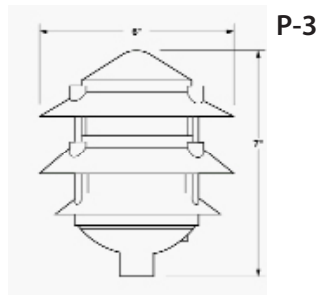
1/2" NPT base, 110/120V 75 Watt Max

BWF#	Unit UPC 0-87115	Pipe Size	Type	Description Color	Case Qty.	Case Weight
Boxed						
P-3	33005-5	1/2	3 Tier	Green	6	18
P-3AB	33510-4	1/2	3 Tier	Bronze	6	18
P-3W	33705-4	1/2	3 Tier	White	6	18
P-3B	33010-9	1/2	3 Tier	Black	6	18

Four Tier Louver Light with 7" Glass Globe

1/2" NPT base, 110/120V 100 Watt Max

BWF#	Unit UPC 0-87115	Pipe Size	Type	Description Color	Case Qty.	Case Weight
Boxed						
P-4	33015-4	1/2	4 Tier	Green	6	22
P-4AB	33515-9	1/2	4 Tier	Bronze	6	22
P-4W	33706-1	1/2	4 Tier	White	6	22
P-4B	33020-8	1/2	4 Tier	Black	6	22



Garden Lighting – Die Cast Metal

Portable Spikelite

1 - H-1 lampholder with external gasket, 5" ground spike, 7 ft 18/3 cord w/molded plug

BWF#	Unit UPC 0-87115	Type	Description	Color	Case Qty.	Case Weight
Show Pak						
SP-1V	27399-4	H-1 w/Spike/Cord		Grey	6	7
SP-1GV	31193-1	H-1 w/Spike/Cord		Green	6	7
Bulk Pallet						
SP-1G-24	31194-8	H-1 w/Spike/Cord		Green	24	90
SP-1GN-48	31509-0	H-1 w/Spike/Cord		Green	48	90



SP-1V

Replacement Parts and Accessories for Garden Lighting

BWF#	Unit UPC 0-87115	Type	Description	Color	Case Qty.	Case Weight
Boxed						
G-5	33085-7	5" Globe		Clear Glass	40	32
G-7	33090-1	6" Globe		Clear Glass	32	33



G-7



G-5

Slip Fitter Pole Top Adapters

For use with troughs or boxes

BWF#	Unit UPC 0-87115	Type	Description	Color	Case Qty.	Case Weight
Boxed						
A-20	39020-2	1/2" NPT		Metal	10	4



A-20

Vaportight Fixtures – Incandescent, Self Ballasted CFL or LED

G= Wire Guard
CG= Cast Guard

Pendant Fixtures

1/2" & 3/4" NPT base, 110/120V, fully enclosed & gasketed



VPKG-11

BWF#	Unit UPC 0-87115	Hub Size	Description Wattage	Color	Case Qty.	Case Weight
Boxed						
VPKG-11L	14020-3	1/2"	75	Lexan® Clear	6	10
VPKG-11L/S	14028-9	1/2"	75	Lexan® Clear w/weep hole	6	10
VPKG-21L	14025-8	3/4"	75	Lexan® Clear	6	10
VPKG-21L/S	14027-2	3/4"	75	Lexan® Clear w/weep hole	6	10
VPKG-11	14030-2	1/2"	100	Glass Clear	6	13
VPKG-21	14035-7	3/4"	100	Glass Clear	6	13
VPKG-12L	14220-7	1/2"	100	Lexan® Clear	1	2.1
VPKG-22L	14225-2	3/4"	100	Lexan® Clear	1	2.1
VPKG-12	14230-6	1/2"	200	Glass Clear	1	3.6
VPKG-22	14235-1	3/4"	200	Glass Clear	1	3.6

Pendant Fixtures with Guard

1/2" & 3/4" NPT base, 110/120V, fully enclosed & gasketed



VPKG-11-CG

BWF#	Unit UPC 0-87115	Hub Size	Description Wattage	Color	Case Qty.	Case Weight
Boxed						
VPKG-11-G	14040-1	1/2"	100	Glass Clear	6	16
VPKG-11-CG	14039-5	1/2"	100	Glass Clear	6	20
VPKG-21-G	14045-6	3/4"	100	Glass Clear	6	16
VPKG-21-CG	14044-9	3/4"	100	Glass Clear	6	20
VPKG-12-G	14240-5	1/2"	200	Glass Clear	1	4.1
VPKG-22-G	14245-0	3/4"	200	Glass Clear	1	4.1

Surface Mount Fixtures for Round or Octagonal Boxes

Fits all 3-1/2" and 4" round boxes, 1/2" & 3/4" NPT base, 110/120V, fully enclosed & gasketed



VPAG-01

BWF#	Unit UPC 0-87115	Box Size	Description Wattage	Color	Case Qty.	Case Weight
Boxed						
VPAG-01L	14050-0	3-1/2" & 4"	75	Lexan® Clear	6	7
VPAG-01	14055-5	3-1/2" & 4"	100	Glass Clear	6	10
VPAG-02L	14250-4	3-1/2" & 4"	100	Lexan® Clear	1	1.5
VPAG-02	14255-9	3-1/2" & 4"	200	Glass Clear	1	3.0

Surface Mount Fixtures with Guard for Round or Octagonal Boxes

Fits all 3-1/2" and 4" round boxes, 1/2" & 3/4" NPT base, 110/120V, fully enclosed & gasketed



VPAG-01-CG

BWF#	Unit UPC 0-87115	Box Size	Description Wattage	Color	Case Qty.	Case Weight
Boxed						
VPAG-01-G	14060-9	3-1/2" & 4"	100	Glass Clear	6	18
VPAG-01-CG	14059-3	3-1/2" & 4"	100	Glass Clear	6	20
VPAG-02-G	14260-3	3-1/2" & 4"	200	Glass Clear	1	3.5

INCANDESCENT: 75W, 100W, 200W, see individual products, bulb not included.

IMPORTANT:

- Vaportight fixtures are not for use in hazardous locations.
- Fixtures supplied with glass globes are furnished with "Clear" glass. See page 31 for colored glass globes.
- Standard Lexan® fixtures have "Clear" Lexan globes. To order any of those fixtures with Red, White, Amber, Blue or Green globes, add the suffix "R", "W", "A", "B" or "G" to the catalog number. See page 31 for Lexan® globes.

LEXAN® is a registered trademark of General Electric Co.

Vaportight Fixtures – Incandescent, Self Ballasted CFL or LED

Box Mounted Fixture for Wall or Ceiling

Four holes 1/2" & 3/4" NPT base, 110/120V, fully enclosed & gasketed, 3 plugs

BWF#	Unit UPC 0-87115	Hub Size	Wattage	Description Color	Case Qty.	Case Weight
Boxed						
VPXG-11L	14065-4	1/2"	75	Lexan® Clear	6	10
VPXG-21L	14070-8	3/4"	75	Lexan® Clear	6	10
VPXG-11	14075-3	1/2"	100	Glass Clear	6	13
VPXG-21	14080-7	3/4"	100	Glass Clear	6	13
VPXG-12L	14265-8	1/2"	100	Lexan® Clear	1	1.9
VPXG-22L	14270-2	3/4"	100	Lexan® Clear	1	2.1
VPXG-12	14275-7	1/2"	200	Glass Clear	1	3.6
VPXG-22	14280-1	3/4"	200	Glass Clear	1	3.6



VPXG-11

Box Mounted Fixture for Wall or Ceiling with Cast or Wire Guard

Four holes 1/2" & 3/4" NPT base, 110/120V, fully enclosed & gasketed, 3 plugs

BWF#	Unit UPC 0-87115	Hub Size	Wattage	Description Color	Case Qty.	Case Weight
Boxed						
VPXG-11-G	14085-2	1/2"	100	Glass Clear	6	16
VPXG-11-CG	14086-9	1/2"	100	Glass Clear	6	20
VPXG-21-G	14090-6	3/4"	100	Glass Clear	6	16
VPXG-21-CG	14092-0	3/4"	100	Glass Clear	6	20
VPXG-12-G	14285-6	1/2"	200	Glass Clear	1	4.2
VPXG-22-G	14286-3	3/4"	200	Glass Clear	1	4.2

G= Wire Guard
CG= Cast Guard



VPXG-11-CG

Wall Mount Fixture with Right Angle Bracket

For use with 4" box, 110/120V, fully enclosed & gasketed

BWF#	Unit UPC 0-87115	Box Size	Wattage	Description Color	Case Qty.	Case Weight
Boxed						
VWG-01L	14011-1	4"	75	Lexan® Clear	1	2.0
VWG-01	14021-0	4"	100	Glass Clear	1	2.8
VWG-02L	14287-0	4"	100	Lexan® Clear	1	2.4
VWG-02	14288-7	4"	200	Glass Clear	1	3.7



VWG-01

Wall Mount Fixture with Right Angle Bracket with Guard

For use with 4" box, 110/120V, fully enclosed & gasketed

BWF#	Unit UPC 0-87115	Box Size	Wattage	Description Color	Case Qty.	Case Weight
Boxed						
VWG-01-G	14031-9	4"	100	Glass Clear	1	3.2
VWG-01-CG	14032-6	4"	100	Glass Clear	1	4.1
VWG-02-G	14289-4	4"	200	Glass Clear	1	4.2



VWG-01-G

INCANDESCENT: 75W, 100W, 200W, see individual products, bulb not included.

IMPORTANT:

- Vaportight fixtures are not for use in hazardous locations.
- Fixtures supplied with glass globes are furnished with "Clear" glass. See page 31 for colored glass globes.
- Standard Lexan® fixtures have "Clear" Lexan globes. To order any of those fixtures with Red, White, Amber, Blue or Green globes, add the suffix "R", "W", "A", "B" or "G" to the catalog number. See page 31 for Lexan® globes.

LEXAN® is a registered trademark of General Electric Co.



VWG-01-CG

Vaportight Fixtures – Incandescent, Self Ballasted CFL or LED

G= Wire Guard
CG= Cast Guard



VXWG-11

Wall Mount Fixture with Right Angle Bracket & Box

Factory assembled to 4" weatherproof box, 110/120V, fully enclosed & gasketed, 3 plugs

BWF#	Unit UPC 0-87115	Hub Size	Wattage	Description Color	Case Qty.	Case Weight
Boxed						
VXWG-11L	14041-8	1/2"	75	Lexan® Clear	1	2.7
VXWG-21L	14051-7	3/4"	75	Lexan® Clear	1	3.0
VXWG-11	14061-6	1/2"	100	Glass Clear	1	3.4
VXWG-21	14071-5	3/4"	100	Glass Clear	1	3.4
VXWG-12L	14290-0	1/2"	100	Lexan® Clear	1	3.1
VXWG-22L	14291-7	3/4"	100	Lexan® Clear	1	3.1
VXWG-12	14292-4	1/2"	200	Glass Clear	1	4.5
VXWG-22	14293-1	3/4"	200	Glass Clear	1	4.5



VXWG-11-CG

Wall Mount Fixture with Right Angle Bracket & Box with Guard

Factory assembled to 4" weatherproof box, 110/120V, fully enclosed & gasketed, 3 plugs

BWF#	Unit UPC 0-87115	Hub Size	Wattage	Description Color	Case Qty.	Case Weight
Boxed						
VXWG-11-G	14081-4	1/2"	100	Glass Clear	1	3.8
VXWG-11-CG	14082-1	1/2"	100	Glass Clear	1	4.7
VXWG-21-G	14091-3	3/4"	100	Glass Clear	1	3.8
VXWG-21-CG	14089-0	3/4"	100	Glass Clear	1	4.7
VXWG-12-G	14294-8	1/2"	200	Glass Clear	1	5.1
VXWG-22-G	14295-5	3/4"	200	Glass Clear	1	5.1

BWF Product Benefits & Features

- Rugged, seamless, die-cast construction that prevents moisture entry
- State of the art powder coat finish for maximum durability
- All fixtures are industrial grade, factory assembled and fully gasketed
- Engineered to protect the interior from deteriorating effects of ice, corrosive fumes, non-explosive vapors, etc.
- Choose between heat resistant glass globes or Lexan® plastic globes in a choice of colors, see page 31
- 75, 100 and 200 Watt Incandescent fixtures

Applications

- Vaportight fixtures are not for use in hazardous locations
- For use in severe service areas where extreme conditions prevail
- Applications: subways, construction sites, bridges, tunnels, freezers, waste water & sewage treatment plants



Wire Guard - VPGW



Cast Guard - VPCG



Pendant - VPKG



Ceiling Mount - VPAG



Box Mounted - VPXG



Right Angle Wall
Mount - VWG



Right Angle Wall
Mount Assembled
to Box - VXWG



Vaportight Fixtures

Replacement Parts & Accessories

BWF#	Unit UPC 0-87115	Hub Size	Max Wattage	Description	Color	Case Qty.	Case Weight
Boxed							
VPK-11	15020-2	1/2"	100	Pendant cap,	Grey	10	18
VPK-21	15025-7	3/4"	100	porcelain socket	Grey	10	18
VPK-12	15220-6	1/2"	200	gasket and screws	Grey	10	10
VPK-22	15225-1	3/4"	200		Grey	10	10
VPA-01-N	15030-1	N/A	100	Ceiling box cap, socket	Grey	10	12
VPA-02	15230-5	N/A	200	gasket and screws	Grey	10	12
VPX-11	15035-6	1/2"	100	Ceiling mount box	Grey	10	19
VPX-21	15040-0	3/4"	100	with gaskets,	Grey	10	19
VPX-12	15235-0	1/2"	200	porcelain socket	Grey	10	19
VPX-22	15240-4	3/4"	200	and screws	Grey	10	19
VPXL-1	14271-9	5 - 1/2"	N/A	Cross feed box 5 hole	Grey	10	9
VPXL-13	14272-6	5 - 3/4"	N/A	with gaskets	Grey	10	9
VW-01	14096-8	N/A	100	Right angle bracket	Grey	10	21
VW-02	14196-5	N/A	200	gasket, socket, screws	Grey	6	12
VXW-11	14097-5	1/2"	100		Grey	1	3
VXW-21	14297-9	3/4"	100	Right angle bracket	Grey	1	3
VXW-12	14098-2	1/2"	200	attached box, gaslet	Grey	1	1.5
VXW-22	14298-6	3/4"	200	socket and screws	Grey	1	1.5
VPCG	15044-8	N/A	100	Heavy duty cast guard	Cast	5	7
VPGW	15045-5	#8 AWS	100	Heavy duty	Wire	5	4
VPGW-02	15046-2	#8 AWS	200	wire guard	Wire	1	1
VPGL-01	15050-9	N/A	100		Glass Clear	1	1.5
VPGL-01G	15054-7	N/A	100	Glass globe for 100 Watt and 200 Watt fixtures	Glass Green	1	1.5
VPGL-01R	15057-8	N/A	100		Glass Red	1	1.5
VPGL-01A	15054-7	N/A	100		Glass Amber	1	1.5
VPGL-01B	15058-3	N/A	100		Glass Blue	1	1.5
VPGLL-01	15059-0	N/A	75		Lexan® Clear	1	1.5
VPGLL-01R	15051-6	N/A	75	Lexan® globe for 100 Watt and 200 Watt fixtures	Lexan® Red	12	3
VPGLL-01W	15065-3	N/A	75		Lexan® White	12	3
VPGLL-01A	15070-7	N/A	75		Lexan® Amber	12	3
VPGLL-01G	15056-1	N/A	75		Lexan® Green	12	3
VPGL-02	15051-6	N/A	200		Lexan® White	1	3
VPGLL-02	15071-4	N/A	150	Lexan® Clear	6	5	
AP-1	15075-2	3 1/2 & 4"	N/A	Adapter plate w/gasket	Metal	20	4
PL-5	21005-0	1/2"	N/A	Closure Plug	Metal	1000	20
PL-75	21010-4	3/4"	N/A	Closure Plug	Metal	1000	21



VPK-11



VPA-01-N



VPX-11



VW-01



VXW-11



AP-1

PL-75



VPCG

VPGW



**VPGL-01 Series
(GLASS)**



**VPGLL-01 Series
(LEXAN)**



VPGLL-02

*Colors Available

Vaportight Fixtures – Incandescent, Self Ballasted CFL or LED

VPKG Without Guard

Cat No	A	B
VPKG-11L	3-11/16"	8-3/16"
VPKG-21L	3-11/16"	8-3/16"
VPKG-11	3-11/16"	8-3/16"
VPKG-21	3-11/16"	8-3/16"
VPKG-12L	4-3/8"	10-1/2"
VPKG-22L	4-3/8"	10-1/2"
VPKG-12	4-3/8"	10-1/2"
VPKG-22	4-3/8"	10-1/2"

VPAG Without Guard

Cat No	A	B
VPAG-01L	3-11/16"	6-13/16"
VPAG-01	3-11/16"	6-13/16"
VPAG-02L	4-3/8"	8-1/2"
VPAG-02	4-3/8"	8-1/2"

VPXG Without Guard

Cat No	A	B
VPXG-11L	3-11/16"	8-5/8"
VPXG-21L	3-11/16"	8-5/8"
VPXG-11	3-11/16"	8-5/8"
VPXG-21	3-11/16"	8-5/8"
VPXG-12L	4-3/8"	10-1/2"
VPXG-22L	4-3/8"	10-1/2"
VPXG-12	4-3/8"	10-1/2"
VPXG-22	4-3/8"	10-1/2"

VWG Without Guard

Cat No	A	B	E	F
VWG-01L	3-11/16"	7-1/4"	3"	4-1/4"
VWG-01	3-11/16"	7-1/4"	3"	4-1/4"
VWG-02L	4-3/8"	8-3/4"	3"	4-1/2"
VWG-02	4-3/8"	8-3/4"	3"	4-1/2"

VXWG Without Guard

Cat No	A	B	E	F
VXWG-11L	3-11/16"	7-1/4"	4-1/2"	4-1/4"
VXWG-21L	3-11/16"	7-1/4"	4-1/2"	4-1/4"
VXWG-11	3-11/16"	7-1/4"	4-1/2"	4-1/4"
VXWG-21	3-11/16"	7-1/4"	4-1/2"	4-1/4"
VXWG-12L	4-3/8"	8-3/4"	4-1/2"	4-1/2"
VXWG-22L	4-3/8"	8-3/4"	4-1/2"	4-1/2"
VXWG-12	4-3/8"	8-3/4"	4-1/2"	4-1/2"
VXWG-22	4-3/8"	8-3/4"	4-1/2"	4-1/2"

VPKG With Guard

Cat No	C	D
VPKG-11-G	4-1/4"	9-5/8"
VPKG-11-CG	4-1/4"	9-5/8"
VPKG-21-G	4-1/4"	9-5/8"
VPKG-21-CG	4-1/4"	9-5/8"
VPKG-12-G	5-1/2"	11"
VPKG-22-G	5-1/2"	11"

VPAG With Guard

Cat No	C	D
VPAG-01-G	4-1/4"	7-9/16"
VPAG-01-CG	4-1/4"	7-9/16"
VPAG-02-G	5-1/2"	9"

VPXG With Guard

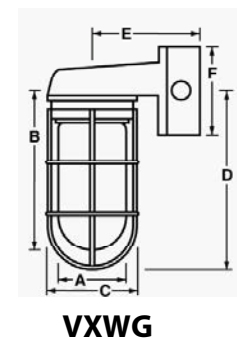
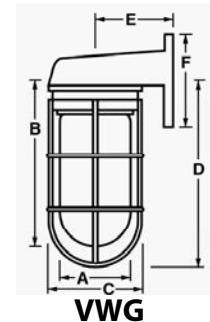
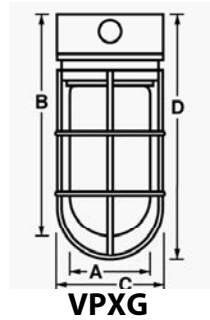
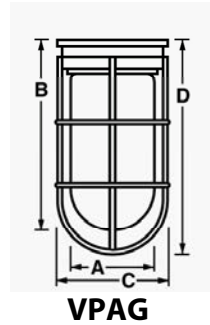
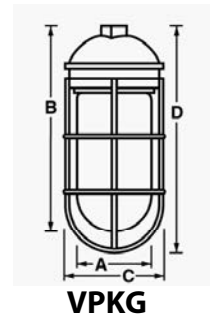
Cat No	A	B
VPXG-11-G	4-1/4"	9-1/8"
VPXG-11-CG	4-1/4"	9-1/8"
VPXG-21-G	4-1/4"	9-1/8"
VPXG-21-CG	4-1/4"	9-1/8"
VPXG-12-G	5-1/2"	10-3/4"
VPXG-22-G	5-1/2"	10-3/4"

VWG With Guard

Cat No	C	D	E	F
VWG-01-G	4-1/4"	7-3/4"	3"	4-1/4"
VWG-01-CG	4-1/4"	7-3/4"	3"	4-1/4"
VWG-02-G	5-1/2"	9-1/4"	3"	4-1/2"

VXWG With Guard

Cat No	C	D	E	F
VXWG-11-G	4-1/4"	7-3/4"	4-1/2"	4-1/4"
VXWG-11-CG	4-1/4"	7-3/4"	4-1/2"	4-1/4"
VXWG-21-G	4-1/4"	7-3/4"	4-1/2"	4-1/4"
VXWG-21-CG	4-1/4"	7-3/4"	4-1/2"	4-1/4"
VXWG-12-G	5-1/2"	9-1/4"	4-1/2"	4-1/2"
VXWG-22-CG	5-1/2"	9-1/4"	4-1/2"	4-1/2"



Conduit Bodies – Die Cast Metal

BWF Product Benefits & Features

- Rugged, seamless, die-cast construction that prevents moisture entry
- Flat back design for easy mounting close to walls
- State of the art powder coat finish for maximum durability
- May be used on aluminum or steel conduit
- Add - CG to part number to include cover and gasket

Applications

- Combo style for use on both rigid and thinwall (EMT) conduit
- Threaded style conduit bodies are for use on rigid conduit.
- Set-screw style are for use on thinwall (EMT) conduit.
- Use BWF conduit outlet bodies for connecting conduit sections, for making bends in conduit runs, as pull outlets, or to provide openings for making splices and taps in conductors.

Type SLB – Aluminum Conduit Entrance Ells

Cover, gasket & screws included, for rigid conduit



500V

BWF#	Unit UPC 0-87115	Conduit Size	Type	Description	Color	Case Qty.	Case Weight
Show Pak							
500V	75005-1	1/2"	SLB Threaded	Grey		38	8
501V	75010-5	3/4"	SLB Threaded	Grey		36	8
502V	75015-0	1"	SLB Threaded	Grey		12	6
503V	75020-4	1-1/4"	SLB Threaded	Grey		12	11.5
504V	75025-9	1-1/2"	SLB Threaded	Grey		10	10
505V	75030-3	2"	SLB Threaded	Grey		4	5.5
Boxed							
503-XL	71035-2	1-1/4"	XLSLB Threaded	Grey		5	6
505-XL	71040-6	2"	XLSLB Threaded	Grey		5	14

Type LR – Combo both Threaded and Set Screw Aluminum Conduit Bodies

For rigid or thinwall (EMT) conduit



D100V

BWF#	Unit UPC 0-87115	Conduit Size	Type	Description	Color	Case Qty.	Case Weight
Show Pak							
D100V	19102-1	1/2"	LR Threaded	Grey		27	7
D101V	19103-8	3/4"	LR Threaded	Grey		15	7.5
D102V	19104-5	1"	LR Threaded	Grey		14	9
D103V	19119-9	1-1/4"	LR Threaded	Grey		4	5.5
D104V	19132-8	1-1/2"	LR Threaded	Grey		4	6
D105V	19133-5	2"	LR Threaded	Grey		2	5.5



16

Type LR – Set Screw Aluminum Conduit Bodies

For thinwall (EMT) conduit

BWF#	Unit UPC 0-87115	Conduit Size	Type	Description	Color	Case Qty.	Case Weight
Boxed							
16	19138-0	2-1/2"	LR Set Screw	Grey		1	5
17	19139-7	3"	LR Set Screw	Grey		1	6
18	19140-3	3-1/2"	LR Set Screw	Grey		1	10
19	19141-0	4"	LR Set Screw	Grey		1	9



Conduit Bodies – Die Cast Metal

Type LR – Threaded Aluminum Conduit Bodies

For rigid conduit

BWF#	Unit UPC 0-87115	Conduit Size	Type	Description Color	Case Qty.	Case Weight
Show Pak						
100V	28366-5	1/2"	LR Threaded	Grey	27	7
101V	28367-2	3/4"	LR Threaded	Grey	15	7.5
102V	28368-9	1"	LR Threaded	Grey	14	9
103V	28369-6	1-1/4"	LR Threaded	Grey	4	5.5
104V	28370-2	1-1/2"	LR Threaded	Grey	4	6
105V	28371-9	2"	LR Threaded	Grey	2	5.5
Boxed						
106	71240-0	2-1/2"	LR Threaded	Grey	1	5
107	71245-5	3"	LR Threaded	Grey	1	6
108	71250-9	3-1/2"	LR Threaded	Grey	1	10
109	71255-4	4"	LR Threaded	Grey	1	9



100V

Type LL – Combo both Threaded and Set Screw Aluminum Conduit Bodies

For rigid or thinwall (EMT) conduit

BWF#	Unit UPC 0-87115	Conduit Size	Type	Description Color	Case Qty.	Case Weight
Show Pak						
D200V	19152-6	1/2"	LL Threaded	Grey	27	7
D201V	19153-3	3/4"	LL Threaded	Grey	15	7.5
D202V	19154-0	1"	LL Threaded	Grey	14	9
D203V	19157-1	1-1/4"	LL Threaded	Grey	4	5.5
D204V	19158-8	1-1/2"	LL Threaded	Grey	4	6
D205V	19159-5	2"	LL Threaded	Grey	2	5.5



D200V

Type LL – Set Screw Aluminum Conduit Bodies

For thinwall (EMT) conduit

BWF#	Unit UPC 0-87115	Conduit Size	Type	Description Color	Case Qty.	Case Weight
Boxed						
26	19146-5	2-1/2"	LL Set Screw	Grey	1	5
27	19147-2	3"	LL Set Screw	Grey	1	6
28	19148-9	3-1/2"	LL Set Screw	Grey	1	10
29	19149-6	4"	LL Set Screw	Grey	1	9



26

Conduit Bodies – Die Cast Metal

Type LL – Threaded Aluminum Conduit Bodies

For rigid conduit



200V

BWF#	Unit UPC 0-87115	Conduit Size	Type	Description	Color	Case Qty.	Case Weight
Show Pak							
200V	28372-6	1/2"	LL Threaded	Grey		27	7
201V	28373-3	3/4"	LL Threaded	Grey		15	7.5
202V	28374-0	1"	LL Threaded	Grey		14	9
203V	28375-7	1-1/4"	LL Threaded	Grey		4	5.5
204V	28376-4	1-1/2"	LL Threaded	Grey		4	6
205V	28477-1	2"	LL Threaded	Grey		2	5.5
Boxed							
206	71435-0	2-1/2"	LL Threaded	Grey		1	5
207	71440-4	3"	LL Threaded	Grey		1	6
208	71445-9	3-1/2"	LL Threaded	Grey		1	10
209	71450-3	4"	LL Threaded	Grey		1	9

Type C – Combo both Threaded and Set Screw Aluminum Conduit Bodies

For rigid or thinwall (EMT) conduit



D300V

BWF#	Unit UPC 0-87115	Conduit Size	Type	Description	Color	Case Qty.	Case Weight
Show Pak							
D300V	19511-1	1/2"	C Threaded	Grey		24	6.5
D301V	19512-8	3/4"	C Threaded	Grey		18	7.5
D302V	19513-5	1"	C Threaded	Grey		14	9
D303V	19514-2	1-1/4"	C Threaded	Grey		8	12
D304V	19523-4	1-1/2"	C Threaded	Grey		8	11
D305V	19524-1	2"	C Threaded	Grey		2	5

Type C – Threaded Aluminum Conduit Bodies

For right conduit



300V

BWF#	Unit UPC 0-87115	Conduit Size	Type	Description	Color	Case Qty.	Case Weight
Show Pak							
300V	28378-8	1/2"	C Threaded	Grey		24	6.5
301V	28379-5	3/4"	C Threaded	Grey		18	7.5
302V	28380-1	1"	C Threaded	Grey		14	9
303V	28381-8	1-1/4"	C Threaded	Grey		8	12
304V	28382-5	1-1/2"	C Threaded	Grey		8	11
305V	28383-2	2"	C Threaded	Grey		2	5
Boxed							
306	71535-7	2-1/2"	C Threaded	Grey		1	6.5
307	71540-1	3"	C Threaded	Grey		1	7.5
308	71545-6	3-1/2"	C Threaded	Grey		1	9
309	71550-0	4"	C Threaded	Grey		1	12

Conduit Bodies – Die Cast Metal

Type C – Set Screw Aluminum Conduit Bodies

For thinwall (EMT) conduit

BWF#	Unit UPC 0-87115	Conduit Size	Type	Description	Color	Case Qty.	Case Weight
Boxed							
36	19535-7	2-1/2"	C Set Screw		Grey	1	6.5
37	19536-4	3"	C Set Screw		Grey	1	7.5
38	19537-1	3-1/2"	C Set Screw		Grey	1	9
39	19538-8	4"	C Set Screw		Grey	1	12



36

Type LB – Combo both Threaded and Set Screw Aluminum Conduit Bodies

For rigid or thinwall (EMT) conduit

BWF#	Unit UPC 0-87115	Conduit Size	Type	Description	Color	Case Qty.	Case Weight
Show Pak							
D600V	19531-9	1/2"	LB Threaded		Grey	30	7
D601V	19532-6	3/4"	LB Threaded		Grey	18	7.5
D602V	19533-3	1"	LB Threaded		Grey	16	9
D603V	19534-0	1-1/4"	LB Threaded		Grey	8	5.5
D604V	19541-8	1-1/2"	LB Threaded		Grey	8	6
D605V	19542-5	2"	LB Threaded		Grey	2	5.5



D600V

Type LB – Threaded Aluminum Conduit Bodies

For rigid conduit

BWF#	Unit UPC 0-87115	Conduit Size	Type	Description	Color	Case Qty.	Case Weight
Show Pak							
600V	28384-9	1/2"	LB Threaded		Grey	24	7
601V	28385-6	3/4"	LB Threaded		Grey	18	7.5
602V	28386-3	1"	LB Threaded		Grey	16	9
603V	28387-0	1-1/4"	LB Threaded		Grey	8	5.5
604V	28388-7	1-1/2"	LB Threaded		Grey	8	6
605V	28389-4	2"	LB Threaded		Grey	2	5.5
Boxed							
606	71135-9	2-1/2"	LB Threaded		Grey	1	5
607	71140-3	3"	LB Threaded		Grey	1	5
608	71145-8	3-1/2"	LB Threaded		Grey	1	9.5
609	71150-2	4"	LB Threaded		Grey	1	8.5



600V

Conduit Bodies – Die Cast Metal

Type LB – Set Screw Aluminum Conduit Bodies

For thinwall (EMT) conduit



66

BWF#	Unit UPC 0-87115	Conduit Size	Type	Description	Color	Case Qty.	Case Weight
Boxed							
66	71735-1	2-1/2"	LB Set Screw	Grey	Grey	1	4.5
67	71740-5	3"	LB Set Screw	Grey	Grey	1	5
68	71745-0	3-1/2"	LB Set Screw	Grey	Grey	1	9.5
69	71750-4	4"	LB Set Screw	Grey	Grey	1	8.5

Type T – Combo both Threaded and Set Screw Aluminum Conduit Bodies

For rigid or thinwall (EMT) conduit



D700V

BWF#	Unit UPC 0-87115	Conduit Size	Type	Description	Color	Case Qty.	Case Weight
Show Pak							
D700V	19543-2	1/2"	T Threaded	Grey	Grey	16	5
D701V	19544-6	3/4"	T Threaded	Grey	Grey	12	5.5
D702V	19546-3	1"	T Threaded	Grey	Grey	14	9
D703V	19547-0	1-1/4"	T Threaded	Grey	Grey	4	7.5
D704V	19548-7	1-1/2"	T Threaded	Grey	Grey	4	6.5
D705V	19549-4	2"	T Threaded	Grey	Grey	2	5.5

Type T – Threaded Aluminum Conduit Bodies

For rigid conduit



700V

BWF#	Unit UPC 0-87115	Conduit Size	Type	Description	Color	Case Qty.	Case Weight
Show Pak							
700V	28390-0	1/2"	T Threaded	Grey	Grey	16	5
701V	28391-7	3/4"	T Threaded	Grey	Grey	14	5.5
702V	28392-4	1"	T Threaded	Grey	Grey	12	9
703V	28393-1	1-1/4"	T Threaded	Grey	Grey	4	7.5
704V	28394-8	1-1/2"	T Threaded	Grey	Grey	4	6.5
705V	28395-8	2"	T Threaded	Grey	Grey	2	5.5
Boxed							
706	71635-4	2-1/2"	T Threaded	Grey	Grey	1	5.5
707	71640-8	3"	T Threaded	Grey	Grey	1	6.5
708	71645-3	3-1/2"	T Threaded	Grey	Grey	1	10
709	71650-7	4"	T Threaded	Grey	Grey	1	9

Conduit Bodies – Die Cast Metal

Type T – Set Screw Aluminum Conduit Bodies

For thinwall (EMT) conduit

BWF#	Unit UPC 0-87115	Conduit Size	Type	Description	Color	Case Qty.	Case Weight
Boxed							
76	19558-6	2-1/2"	T Set Screw	Grey	Grey	1	5.5
77	19559-3	3"	T Set Screw	Grey	Grey	1	6.5
78	19560-9	3-1/2"	T Set Screw	Grey	Grey	1	10
79	19561-6	4"	T Set Screw	Grey	Grey	1	9



76

Conduit Body Covers – Stamped & Die Cast Metal

Stamped Aluminum Conduit Body Covers

Screws included

BWF#	Unit UPC 0-87115	Conduit Size	Type	Description	Color	Case Qty.	Case Weight
Show Pak							
SC-1V	31161-0	1/2"	Stamped	Grey	Grey	100	5.5
SC-2V	31162-7	3/4"	Stamped	Grey	Grey	100	7
SC-3V	31163-4	1"	Stamped	Grey	Grey	50	8
SC-4V	31164-1	1-1/4" - 1-1/2"	Stamped	Grey	Grey	50	8.5
SC-5V	31165-8	2"	Stamped	Grey	Grey	25	7
Boxed							
SC-1	73105-0	1/2"	Stamped	Grey	Grey	250	14.5
SC-2	73110-4	3/4"	Stamped	Grey	Grey	250	18.5
SC-3	73115-9	1"	Stamped	Grey	Grey	250	23
SC-4	73120-3	1-1/4" - 1-1/2"	Stamped	Grey	Grey	50	8.5
SC-5	73130-2	2"	Stamped	Grey	Grey	75	21
Show Pak							
DC-1V	28497-6	1/2"	Die Cast	Grey	Grey	100	7
DC-2V	28498-3	3/4"	Die Cast	Grey	Grey	50	4.5
DC-3V	28499-0	1"	Die Cast	Grey	Grey	50	6
DC-4V	28500-3	1-1/4" - 1-1/2"	Die Cast	Grey	Grey	50	8.5
DC-5V	31150-4	2"	Die Cast	Grey	Grey	25	10
Boxed							
DC-1	72805-0	1/2"	Die Cast	Grey	Grey	250	15
DC-2	72810-4	3/4"	Die Cast	Grey	Grey	250	30
DC-3	72815-9	1"	Die Cast	Grey	Grey	250	37
DC-4	72820-3	1-1/4" - 1-1/2"	Die Cast	Grey	Grey	50	13
DC-5	72825-8	2"	Die Cast	Grey	Grey	75	34
DC-6	72835-7	2-1/2" - 3"	Die Cast	Grey	Grey	10	8
DC-7	72840-1	3-1/2" - 4"	Die Cast	Grey	Grey	5	7



SC-1V



DC-1V

Conduit Body Covers – Stamped & Die Cast Metal

Standard Conduit Body Gaskets – Fiber & Neoprene



NG-1V

BWF#	Unit UPC 0-87115	Conduit Size	Type	Description	Color	Case Qty.	Case Weight
Show Pak							
NG-1V	31156-6	1/2"	Neoprene	Grey		500	9
NG-2V	31157-3	3/4"	Neoprene	Grey		500	10
NG-3V	31158-0	1"	Neoprene	Grey		500	13
NG-4V	31159-7	1-1/4" – 1-1/2"	Neoprene	Grey		200	11.5
NG-5V	31160-3	2"	Neoprene	Grey		100	8.5
Boxed							
NG-1	33627-9	1/2"	Neoprene	Grey		2500	27
NG-2	33628-6	3/4"	Neoprene	Grey		1000	13
NG-3	33629-3	1"	Neoprene	Grey		500	11
NG-4	33626-2	1-1/4" – 1-1/2"	Neoprene	Grey		500	19.5
NG-5	33630-9	2"	Neoprene	Grey		125	11
NG-6	33631-6	2-1/2" – 3"	Neoprene	Grey		50	9
NG-7	33632-3	3-1/2" – 4"	Neoprene	Grey		10	2


Aluminum Conduit Bodies

Application

Used for providing access to the interior of a conduit system for pulling, splicing, inspection and maintenance

- Flat back design for easy mounting close to walls
- Cast from high strength corrosion and weather resistant aluminum alloy

Certifications

 E121488

 LR57925

Standards

- UL 514A
- CSA C22.2 No. 18

C TYPE					
	CATALOG NUMBER		TRADE SIZE	MAX 3- CONDCTOR WIRE SIZE	INTERNAL VOLUME (in ³)
	300V	D300V	1/2"	-	4.35
	301V	D301V	3/4"	#6 AWG	7.30
	302V	D302V	1"	#4 AWG	12.2
	303V	D303V	1-1/4"	#2 AWG	33.4
	304V	D304V	1-1/2"	#1/0 AWG	33.5
	305V	D305V	2"	#2/0 AWG	69.5
36	306		2-1/2"	250 MCM	159
37	307		3"	250 MCM	188
38	308		3-1/2"	300 MCM	307
39	309		4"	300 MCM	309

*- Include -CGV suffix for rubber gasket & stamped cover



No Gasket or Cover



CGV Models


Aluminum Conduit Bodies

Application

Used for providing access to the interior of a conduit system for pulling, splicing, inspection and maintenance

- Flat back design for easy mounting close to walls
- Cast from high strength corrosion and weather resistant aluminum alloy

Certifications

 E121488

 LR57925

Standards

- UL 514B
- CSA C22.2 No. 18

LB TYPE					
EMT	CATALOG NUMBER		TRADE SIZE	MAX 3-CONDUCTOR WIRE SIZE	INTERNAL VOLUME (in ³)
	RIGID	COMBO			
	600V	D600V	1/2"	-	4.35
	601V	D601V	3/4"	#6 AWG	7.30
	602V	D602V	1"	#4 AWG	12.2
	603V	D603V	1-1/4"	#2 AWG	32.3
	604V	D604V	1-1/2"	#1/0 AWG	33.8
	605V	D605V	2"	#3/0 AWG	71.2
66	606		2-1/2"	300 MCM	153.0
67	607		3"	300 MCM	183.5
68	608		3-1/2"	400 MCM	304.9
69	609		4"	400 MCM	308.0

*- Include -CGV suffix for rubber gasket & stamped cover



No Gasket or Cover



-CGV Models

LL TYPE					
EMT	CATALOG NUMBER		TRADE SIZE	MAX 3-CONDUCTOR WIRE SIZE	INTERNAL VOLUME (in ³)
	RIGID	COMBO			
	200V	D200V	1/2"	-	4.35
	201V	D201V	3/4"	#6 AWG	7.30
	202V	D202V	1"	#4 AWG	12.2
	203V	D203V	1-1/4"	#2 AWG	35.4
	204V	D204V	1-1/2"	#1/0 AWG	35.6
	205V	D205V	2"	#4/0 AWG	69.7
26	206		2-1/2"	300 MCM	158
27	207		3"	350 MCM	186
28	208		3-1/2"	350 MCM	306
29	209		4"	350 MCM	308

*- Include -CGV suffix for rubber gasket & stamped cover



No Gasket or Cover



-CGV Models


Aluminum Conduit Bodies

Application

Used with threaded rigid conduit or IMC for providing access to the interior of a conduit system for pulling, splicing, inspection and maintenance

- Flat back design for easy mounting close to walls
- Cast from high strength corrosion and weather resistant aluminum alloy

Certifications

 E121488

 LR57925

Standards

- UL 514B
- CSA C22.2 No. 18

LR TYPE					
EMT	CATALOG NUMBER		TRADE SIZE	MAX 3-CONDUCTOR WIRE SIZE	INTERNAL VOLUME (in ³)
	RIGID	COMBO			
	100V	D100V	1/2"	-	4.35
	101V	D101V	3/4"	#6 AWG	7.30
	102V	D102V	1"	#4 AWG	12.2
	103V	D103V	1-1/4"	#2 AWG	35.8
	104V	D104V	1-1/2"	#1/0 AWG	35.1
	105V	D105V	2"	#4/0 AWG	69.7
16	106		2-1/2"	300 MCM	158
17	107		3"	350 MCM	186
18	108		3-1/2"	350 MCM	306
19	109		4"	350 MCM	308

*- Include -CGV suffix for rubber gasket & stamped cover



No Gasket or Cover



CGV Models

T TYPE					
EMT	CATALOG NUMBER		TRADE SIZE	MAX 3-CONDUCTOR WIRE SIZE	INTERNAL VOLUME (in ³)
	RIGID	COMBO			
	700V	D700V	1/2"	-	4.35
	701V	D701V	3/4"	#6 AWG	7.30
	702V	D702V	1"	#4 AWG	12.2
	703V	D703V	1-1/4"	#2 AWG	33.1
	704V	D704V	1-1/2"	#2 AWG	33.1
	705V	D705V	2"	#1 AWG	67
76	706		2-1/2"	#3/0 AWG	149
77	707		3"	#3/0 AWG	175
78	708		3-1/2"	#4/0 AWG	298
79	709		4"	#4/0 AWG	300

*- Include -CGV suffix for rubber gasket & stamped cover



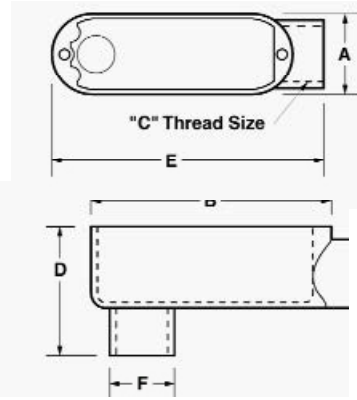
No Gasket or Cover



CGV Models

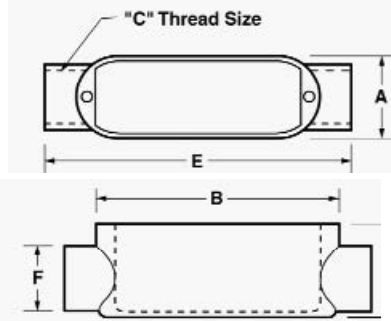
Type LB Dimensions - Threaded & Set Screw

Conduit Size	A	B	C	D	E	F
1/2"	1-11/32"	15-7/64"	1/2"	2-11/64"	4-13/32"	1-5/32"
3/4"	1-35/64"	4-49/64"	3/4"	2-7/16"	5-1/8"	1-3/8"
1"	1-3/4"	5-3/8"	1"	2-3/4"	5-15/16"	1-23/32"
1-1/4"	2-35/64"	7-15/64"	1-1/4"	3-35/64"	7-7/8"	2-15/64"
1-1/2"	2-19/32"	7-17/64"	1-1/2"	3-23/32"	7-7/8"	2-3/8"
2"	3-13/64"	9-33/64"	2"	4-1/4"	10-15/64"	2-29/32"
2-1/2"	4-1/2"	12-3/16"	2-1/2"	5-5/32"	12-3/4"	3-13/32"
3"	4-15/32"	12-17/64"	3"	5-21/32"	12-43/64"	4-1/64"
3-1/2"	5-39/64"	5-1/32"	3-1/2"	6-61/64"	15-35/64"	5-5/32"
4"	5-39/64"	15-1/32"	4"	6-61/64"	15-35/64"	5-5/32"



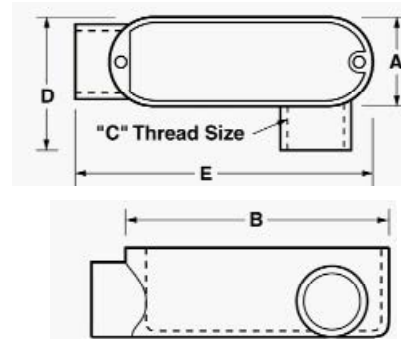
Type C Dimensions - Threaded & Set Screw

Conduit Size	A	B	C	D	E	F
1/2"	1-5/16"	3-27/32"	1/2"	1-1/2"	4-27/32"	1-1/8"
3/4"	1-17/32"	4-19/32"	3/4"	1-5/8"	5-41/64"	1-5/16"
1"	1-3/4"	5-11/32"	1"	1-29/32"	6-1/2"	1-1/2"
1-1/4"	2-17/32"	7-1/4"	1-1/4"	2-3/4"	8-1/2"	2-1/4"
1-1/2"	2-17/32"	7-1/4"	1-1/2"	2-3/4"	8-1/2"	2-1/4"
2"	2-7/32"	9-7/16"	2"	3-13/32"	10-3/4"	2-3/4"
2-1/2"	4-1/2"	12-1/4"	2-1/2"	4-1/2"	13"	4-1/2"
3"	4-1/2"	12-1/4"	3"	4-1/2"	13"	4-1/2"
3-1/2"	5-1/2"	15"	3-1/2"	5-9/16"	16-5/16"	5-1/2"
4"	5-1/2"	15"	4"	5-9/16"	16-5/16"	5-1/2"



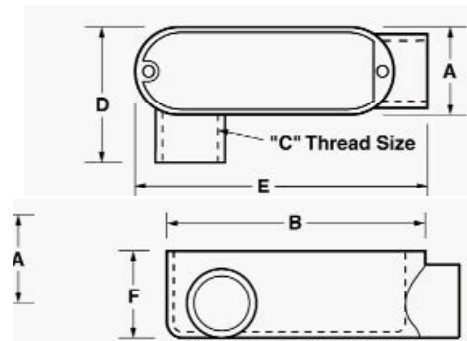
Type LL Dimensions - Threaded & Set Screw

Conduit Size	A	B	C	D	E	F
1/2"	1-3/32"	3-7/8"	1/2"	2"	4-9/32"	1-13/32"
3/4"	1-1/4"	4-21/32"	3/4"	2-11/32"	5-1/8"	1-13/32"
1"	1-1/2"	5-23/64"	1"	2-1/2"	5-59/64"	1-7/8"
1-1/4"	2-1/4"	7-17/64"	1-1/4"	3-13/32"	7-55/64"	2-7/8"
1-1/2"	2-1/4"	7-17/64"	1-1/2"	3-13/32"	7-55/64"	2-7/8"
2"	2-3/4"	9-15/32"	2"	3-27/32"	10-13/64"	3-27/64"
2-1/2"	4-5/8"	12-1/4"	2-1/2"	5-3/4"	13"	4-1/2"
3"	4-5/8"	12-1/4"	3"	5-3/4"	13"	4-1/2"
3-1/2"	5-7/16"	15"	3-1/2"	6-1/8"	16-5/16"	5-9/16"
4"	5-7/16"	15"	4"	6-1/8"	16-5/16"	5-9/16"



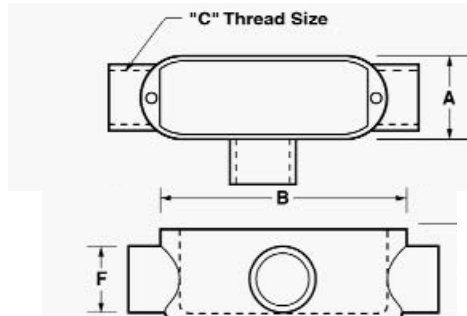
Type LR Dimensions - Threaded & Set Screw

Conduit Size	A	B	C	D	E	F
1/2"	1-7/64"	3-7/8"	1/2"	2"	4-9/32"	1-13/32"
3/4"	1-1/4"	4-21/32"	3/4"	2-11/32"	5-1/8"	1-41/64"
1"	1-1/2"	5-23/64"	1"	2-1/2"	5-59/64"	1-7/8"
1-1/4"	2-1/4"	7-17/64"	1-1/4"	3-13/32"	7-55/64"	2-7/8"
1-1/2"	2-1/4"	7-17/64"	1-1/2"	3-13/32"	7-55/64"	2-7/8"
2"	2-3/4"	9-15/32"	2"	3-27/32"	10-13/64"	3-27/64"
2-1/2"	4-7/16"	12-1/4"	2-1/2"	5-13/16"	12-1/4"	4-1/2"
3"	4-5/8"	12-1/4"	3"	5-13/16"	12-1/4"	4-1/2"
3-1/2"	5-7/16"	15"	3-1/2"	6-1/8"	15"	6-1/4"
4"	5-7/16"	15"	4"	6-1/8"	15"	6-1/4"



Type T Dimensions - Threaded & Set Screw

Conduit Size	A	B	C	D	E	F
1/2"	1-5.16"	3-27.32"	1.2"	1-3.8"	4-27.32"	2-1.16"
3/4"	1-17.16"	4-39.64"	3.4"	1-41.64"	5-19.32"	2-11.32"
1"	1-25.32"	5-3.8"	1"	1-29.32"	6-1.2"	2-19.32"
1-1/4"	2-1.2"	7-1.4"	1-1.4"	2-3.4"	8-1.2"	3-35.64"
1-1/2"	2-1.2"	7-1.4"	1-1.2"	2-3.4"	8-1.2"	3-35.64"
2"	3-1.4"	9-7.16"	2"	3-27.64"	10-13.16"	4-3.64"
2-1/2"	4-1.2"	12-1.4"	2-1.2"	4-1.2"	13"	5-25.32"
3"	4-1.2"	12-1.4"	3"	4-1.2"	13"	5-25.32"
3-1/2"	5-1/2"	15"	3-1/2"	5-9/16"	16-5/16"	6-13/16"
4"	5-1/2"	15"	4"	5-9/16"	16-5/16"	6-13/16"



Service Entrance Heads

Service Entrance Heads – Clamp Type



BWF#	Unit UPC 0-87115	Pipe Size	Type	Description	Color	Case Qty.	Case Weight
Show Pak							
180V	75905-4	1/2"	Clamp		Grey	25	12
181V	75910-8	3/4"	Clamp		Grey	20	11.5
182V	75915-3	1"	Clamp		Grey	20	8
183V	75920-7	1-1/4"	Clamp		Grey	10	5.5
184V	75925-2	1-1/2"	Clamp		Grey	8	7
185V	75930-6	2"	Clamp		Grey	3	5
Boxed							
1866	70935-6	2-1/2"	Clamp		Grey	1	4.5
2877	70932-5	3"	Clamp		Grey	1	7
2888	70945-5	3-1/2"	Clamp		Grey	1	6.5
2899	70950-9	4"	Clamp		Grey	1	6.5

Service Entrance Heads – Threaded Type



BWF#	Unit UPC 0-87115	Pipe Size	Type	Description	Color	Case Qty.	Case Weight
Boxed							
8160	08160-5	1/2"	Threaded		Grey	50	12
8161	08161-2	3/4"	Threaded		Grey	25	11.5
8162	08162-9	1"	Threaded		Grey	10	8
8163	08163-6	1-1/4"	Threaded		Grey	10	8
8164	08164-3	1-1/2"	Threaded		Grey	10	8
8165	08165-0	2"	Threaded		Grey	5	8

Service Entrance Heads – Mast Type



BWF#	Unit UPC 0-87115	Pipe Size	Head Size	Description	Color	Case Qty.	Case Weight
Boxed							
9366	09366-0	2"	1-1/4"		Grey	4	3
9367	09367-7	2-1/2"	1-1/4"		Grey	2	2
9368	09368-4	2-1/2"	2"		Grey	2	2

Oval Service Cable Heads



BWF#	Unit UPC 0-87115	Trade Size	Case Qty.	Case Weight
Boxed				
9364	09364-6	3/8 - 1/3	5	1.4
9365	09365-3	1/0-4/0	5	3.3

Electrical Fittings

Insulated Bushing

BWF#	Unit UPC 0-87115	Pipe Size	Type	Description	Color	Case Qty.	Case Weight
Boxed							
171	09003-4	1/2"	Insulated	Grey	Grey	1000	6.5
172	70710-9	3/4"	Insulated	Grey	Grey	1000	8
173	70715-4	1"	Insulated	Grey	Grey	500	7.5
174	70720-8	1-1/4"	Insulated	Grey	Grey	250	6
175	70725-3	1-1/2"	Insulated	Grey	Grey	250	6.5
176	70730-7	2"	Insulated	Grey	Grey	125	5
177	70735-2	2-1/2"	Insulated	Grey	Grey	100	6.5
178	70740-6	3"	Insulated	Grey	Grey	50	5
179	70745-1	3-1/2"	Insulated	Grey	Grey	50	6
170	70750-5	4"	Insulated	Grey	Grey	50	6



171

Steel Lock Nuts

BWF#	Unit UPC 0-87115	Pipe Size	Type	Description	Color	Case Qty.	Case Weight
Boxed							
131	70805-2	3/8"	Steel	Grey	Grey	2500	44
132	70810-6	1/2"	Steel	Grey	Grey	2500	33.5
133	70815-1	3/4"	Steel	Grey	Grey	2500	48
134	70820-5	1"	Steel	Grey	Grey	1000	33.5
149	70825-0	1-1/4"	Steel	Grey	Grey	500	27
150	70830-4	1-1/2"	Steel	Grey	Grey	500	26.5
151	70835-9	2"	Steel	Grey	Grey	400	29
152	70840-3	2-1/2"	Steel	Grey	Grey	300	39.5
153	70845-8	3"	Steel	Grey	Grey	250	44.5
154	70850-2	3-1/2"	Steel	Grey	Grey	125	27.5
155	70855-7	4"	Steel	Grey	Grey	100	27.5
156	70860-1	5"	Steel	Grey	Grey	30	23.5
157	70865-6	6"	Steel	Grey	Grey	30	26.5



131

Ground Fittings

BWF#	Unit UPC 0-87115	Pipe Size	Type	Description	Color	Case Qty.	Case Weight
Boxed							
L-162C	73205-7	1/2" - 1"	#4 -#10 AWG	Zinc	Zinc	250	43
L-162-B	73210-1	1/2" - 1"	Grounding wire	Brass	Brass	250	43
L-163C	73215-6	1/2" - 1"	#4 -#8 AWG	Zinc	Zinc	250	50
L-163B	73220-0	1/2" - 1"	Bare amored wire	Brass	Brass	250	50



L-163C



L-162C

Replacement Parts & Accessories

BWF#	Unit UPC 0-87115	Description	Color	Case Qty.	Case Weight
Boxed					
ML	21020-3	2 Mounting Lugs w/screws	Grey	100	1
RS	30030-0	Porcelain Replacement Socket	Grey	25	3
S11	33593-7	Single Pole 10A/125V Switch	Black	50	15
S13	37030-3	Three Way 10A/125V Switch	Black	50	15
S15	37031-0	Single Pole 20A-120V/277V	Black	50	15
Show Pak					
GV	31166-5	2 pk of Internal Lampholder Gasket	Black	600	2
G-1V	41300-0	External Lampholder Gasket	Black	50	3
UBGV	37020-4	Universal 1 Gang Gasket	Black	50pks	2
RGV	37040-2	Unviersal Round Gasket	Black	50pks	1
BGV	27229-4	1 Gang Gasket, Single & Duplex Cvr	Black	50pks	1
TGBGV	27230-0	Universal 2 Gang Gasket	Black	50pks	1
Closure Plugs					
PL-5/4V	05400-5	4 – 1/2" Closure Plugs	Grey	75pks	6
PL-5/4AV	05403-6	4 – 1/2" Closure Plugs	Bronze	75pks	6
PL-5/4WV	05402-9	4 – 1/2" Closure Plugs	White	75pks	6
PL-75/4V	21012-8	4 – 3/4" Closure Plugs	Grey	50/pks	6
PL-75/4AV	27220-1	4 – 3/4" Closure Plugs	Bronze	50/pks	6
PL-75/4WV	27221-8	4 – 3/4" Closure Plugs	White	50/pks	6
PL/10/4V	27223-2	4 – 1" Closure Plugs	Grey	50/pks	9
PL/10/4/AV	27224-9	4 – 1" Closure Plugs	Bronze	50/pks	9
PL/10/4/WV	27225-6	4 – 1" Closure Plugs	White	50/pks	9
Blister Carded					
50AP-1	05012-0	3 – 1/2" Plugs, 2 Wire Nuts	Grey	12	1
50APAB-1	05016-8	3 – 1/2" Plugs, 2 Wire Nuts	Bronze	12	1
50APW-1	50195-0	3 – 1/2" Plugs, 2 Wire Nuts	White	12	1
75AP-1	07512-3	3 – 3/4" Plugs, 2 Wire Nuts	Grey	12	1.5
75APAB-1	07516-1	3 – 3/4" Plugs, 2 Wire Nuts	Bronze	12	1.5
75APW-1	50200-1	3 – 3/4" Plugs, 2 Wire Nuts	White	12	1.5



New Products

TEDDICO
ELECTRICAL PRODUCTS



NEW LED TEMPORARY WORKLIGHT



TEDDICO/BWF is proud to introduce its new 100 watt LED Temporary Work Light. This Heavy Duty work light has an Electrolytic Polished Stainless Steel Guard, Stainless Steel Hook, and 9 feet of cord with a 120 volt three prong plug. It has High Voltage Surge Protection using Samsung/EPISTAR 2835 LED's and is IP65 rated.

FEATURES

Power 100w
LEDs Type Epistar 2835/Samsung 2835
Lumen Per Watt 110~125lm/w
Driver Internal Driver
Input Voltage AC100-277V, 50-60Hz
Beam Angle 360°
CCT 2700K-6500K
CRI >80
Power Factor >0.9
Surge Protection 6KV
Life Span 50,000 Hours
Warranty 5 years

PART #'S

WK100LED (100 WATTS 100-277V, 50-60Hz)
Replaces a 400 watt HID work light





A Leading Manufacturer of Weatherproof Electrical Products

© Teddico 2020